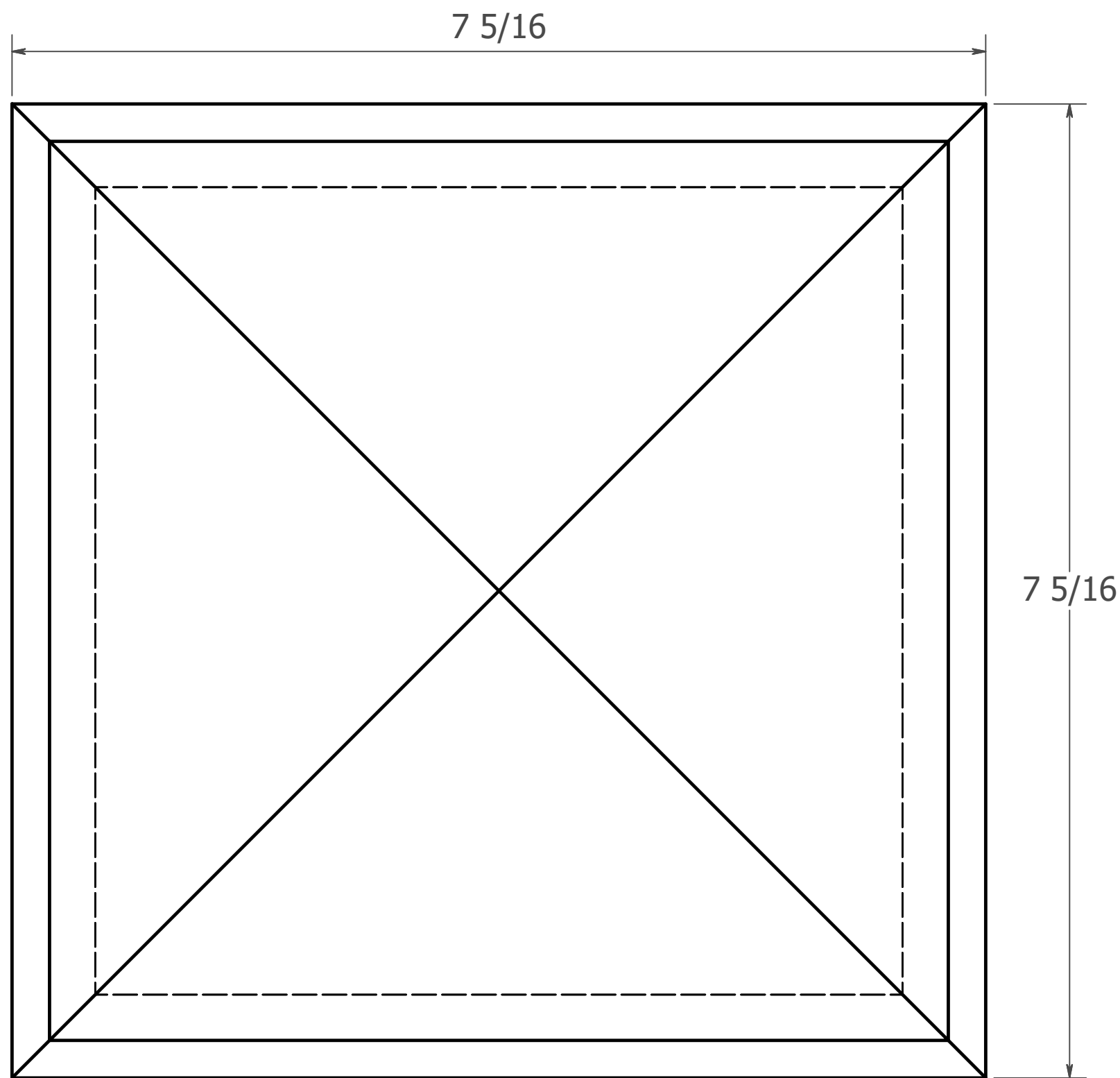


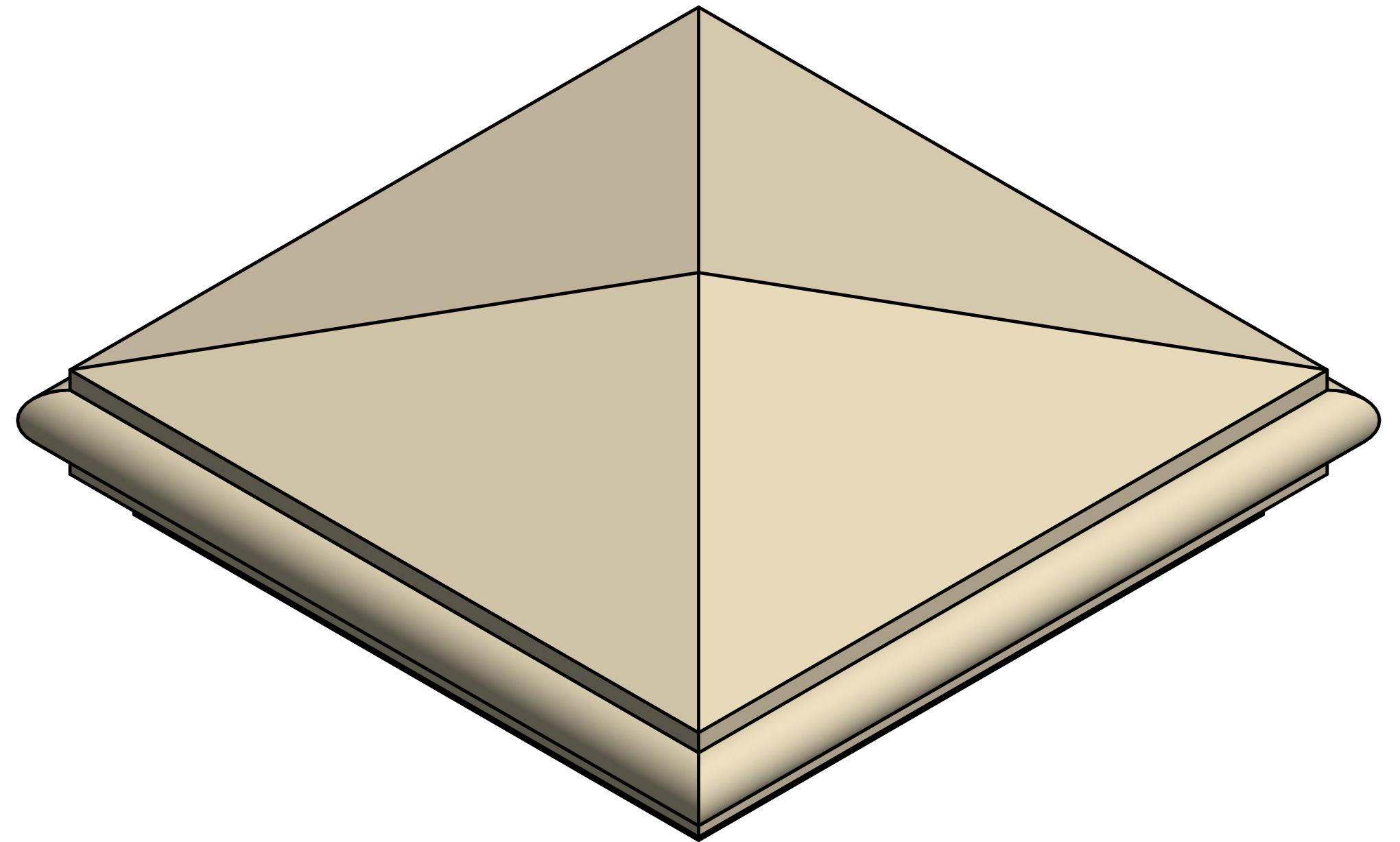
MODEL: WNP-3000

MADE IN USA

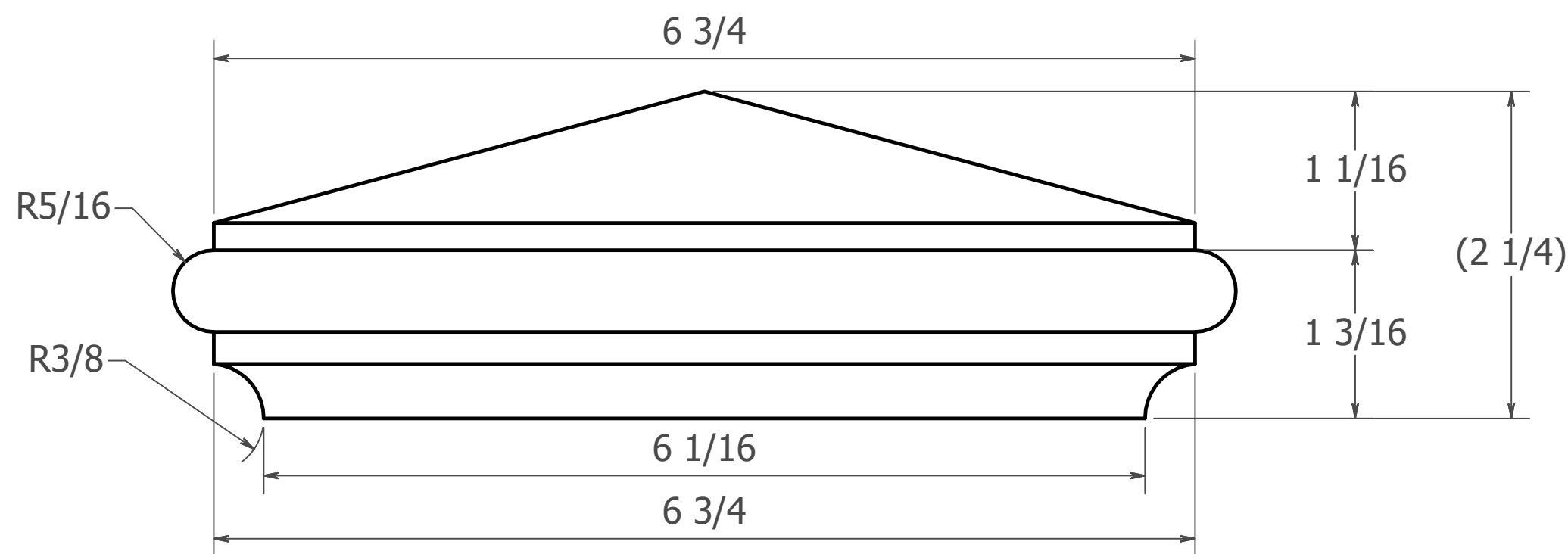
NOTE: MEASUREMENTS TAKEN FROM PRODUCTION PART.  
CAP TO FIT 22-100, 22-102 AND 22-104 NEWEL  
POSTS IN THE 3-5/8" BALUSTRADE SYSTEM.



TOP  
SCALE 1:1



3D  
SCALE 1:1



FRONT  
SCALE 1:1



**WORTHINGTON**<sup>®</sup>  
American Made Architectural Products  
17842 Ashley Drive, Suite C Panama City Beach, FL 32413  
Phone: 800.872.1608 Fax : 850.640.0488  
e-mail [Sales@worthingtonmillwork.com](mailto:Sales@worthingtonmillwork.com)  
WEB: [www.worthingtonmillwork.com](http://www.worthingtonmillwork.com)

DWG NO: WNP-3000	PART NO: WNP-3000	CLIENT: SIGN	DATE:
DWG BY: DNZ.	DATE: 08/28/17	TITLE: NEWEL POST FOR 3 5/8" BALUSTRADE SYSTEM	
FILED UNDER :	SCALE: SEE ABOVE	REV:	DIM. TOLERANCE :
ALL ITEMS ARE DRAWN FOR PRESENTATION PURPOSES ONLY, THEREFORE IMAGE SHOWN MAY VARY SLIGHTLY FROM FINISHED ACTUAL PART. DRAWING SHOWN IS TO INDICATE GENERAL ARRANGEMENT AND DESIGN. WORTHINGTON RESERVES THE RIGHT TO CHANGE ANY PRODUCT DESIGN WITHOUT NOTIFICATION.			SIZE: C
			PAGE: 1/1

REV	DESCRIPTION	DATE	APVD.