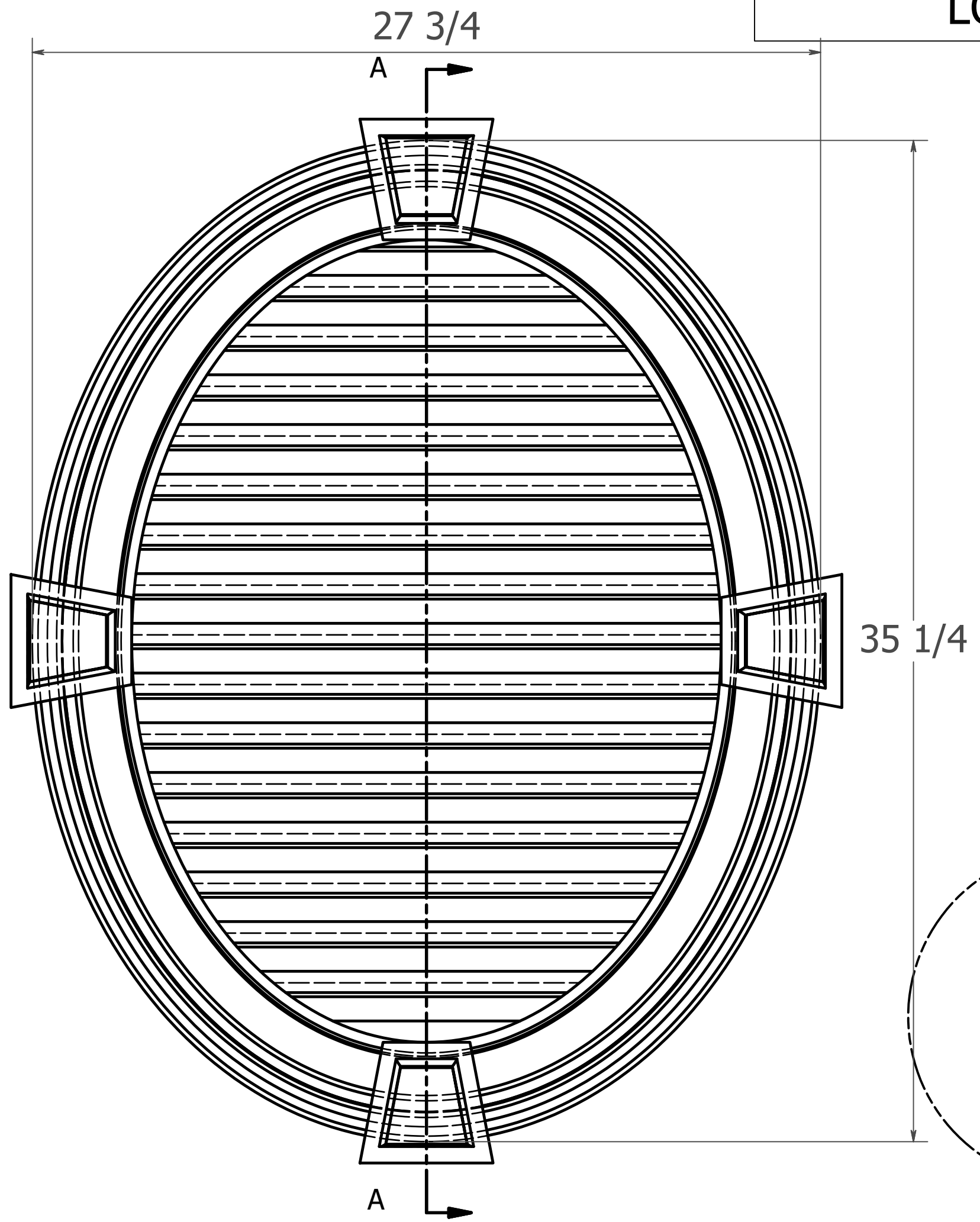
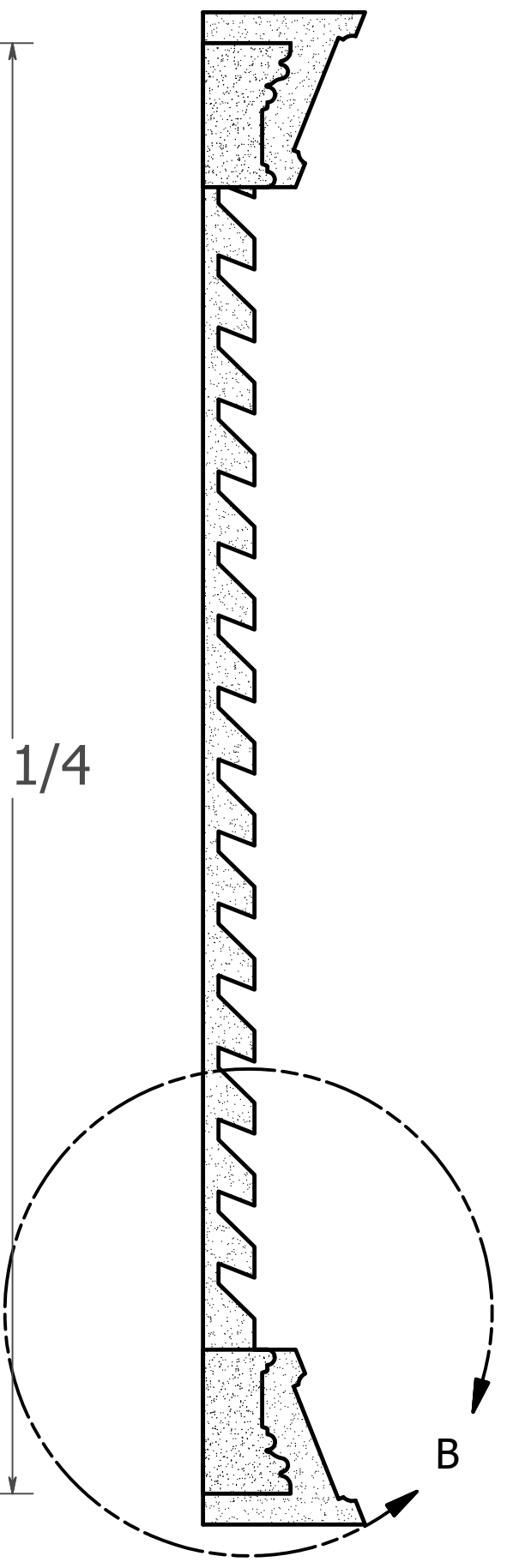


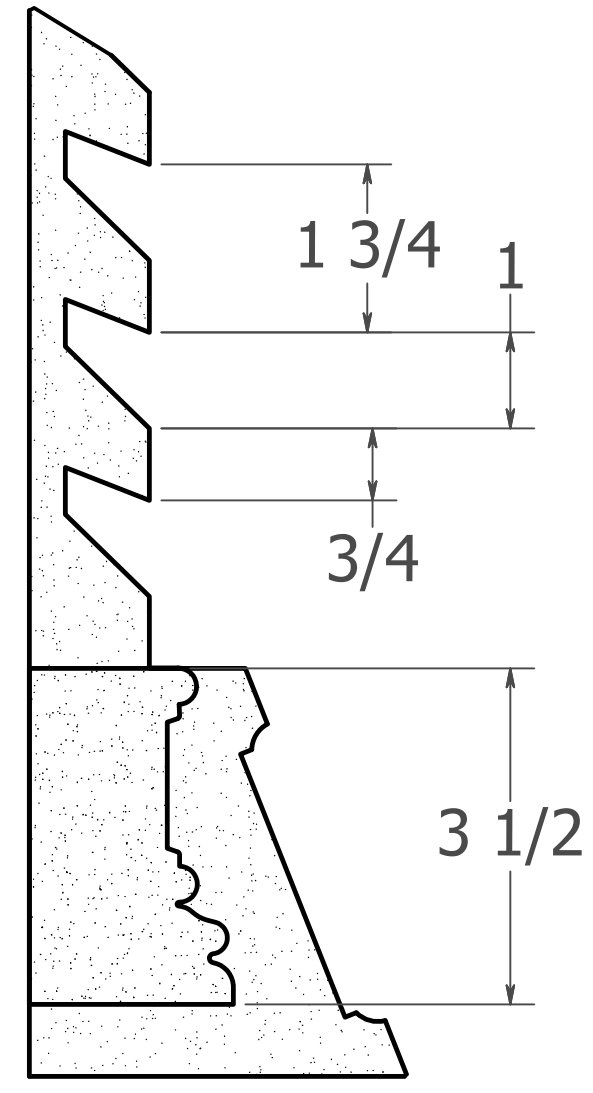
LOUVER TYPE: WL-2090-35



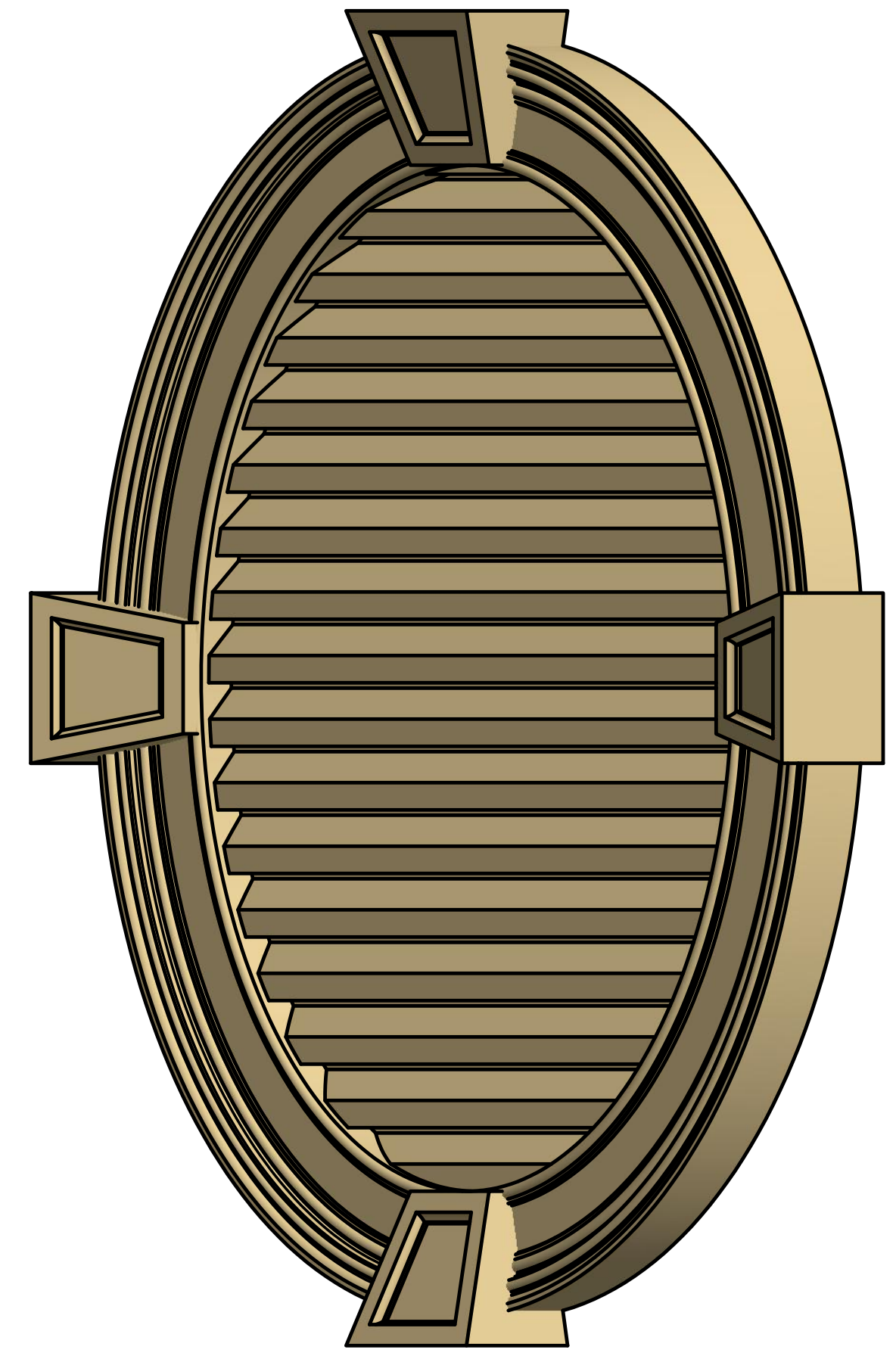
FRONT
SCALE 1 / 4



SECTION A-A
SCALE 1 / 4



DETAIL B
SCALE 1 / 2



3D
SCALE 1 / 4

NOTE 1: MEASUREMENTS TAKEN FROM PRODUCTION PARTS. DRAWINGS MAY VARY SLIGHTLY FROM ACTUAL PARTS.
NOTE 2 : LARGE SIZE LOUVERS MAY HAVE LOUVER SUPPORT BLOCKS.

REV	DESCRIPTION	DATE	APVD.



WORTHINGTON[®]
American Made Architectural Products
17842 Ashley Drive, Suite C Panama City Beach, FL 32413
Phone: 800.872.1608 Fax : 850.640.0488
e-mail Sales@worthingtonmillwork.com
WEB: www.worthingtonmillwork.com

DWG NO: WL-2090-35	PART NO: WL-2090-35	CLIENT: SIGN	DATE:
DWG BY: DNZ.	DATE: 06/15/17	TITLE: VERTICAL OVAL KEYSTONE LOUVER CLOSED	
FILED UNDER :	SCALE: SEE ABOVE	REV:	DIM. TOLERANCE :
ALL ITEMS ARE DRAWN FOR PRESENTATION PURPOSES ONLY, THEREFORE IMAGE SHOWN MAY VARY SLIGHTLY FROM FINISHED ACTUAL PART. DRAWING SHOWN IS TO INDICATE GENERAL ARRANGEMENT AND DESIGN. WORTHINGTON RESERVES THE RIGHT TO CHANGE ANY PRODUCT DESIGN WITHOUT NOTIFICATION.			SIZE: C
			PAGE: 1/1