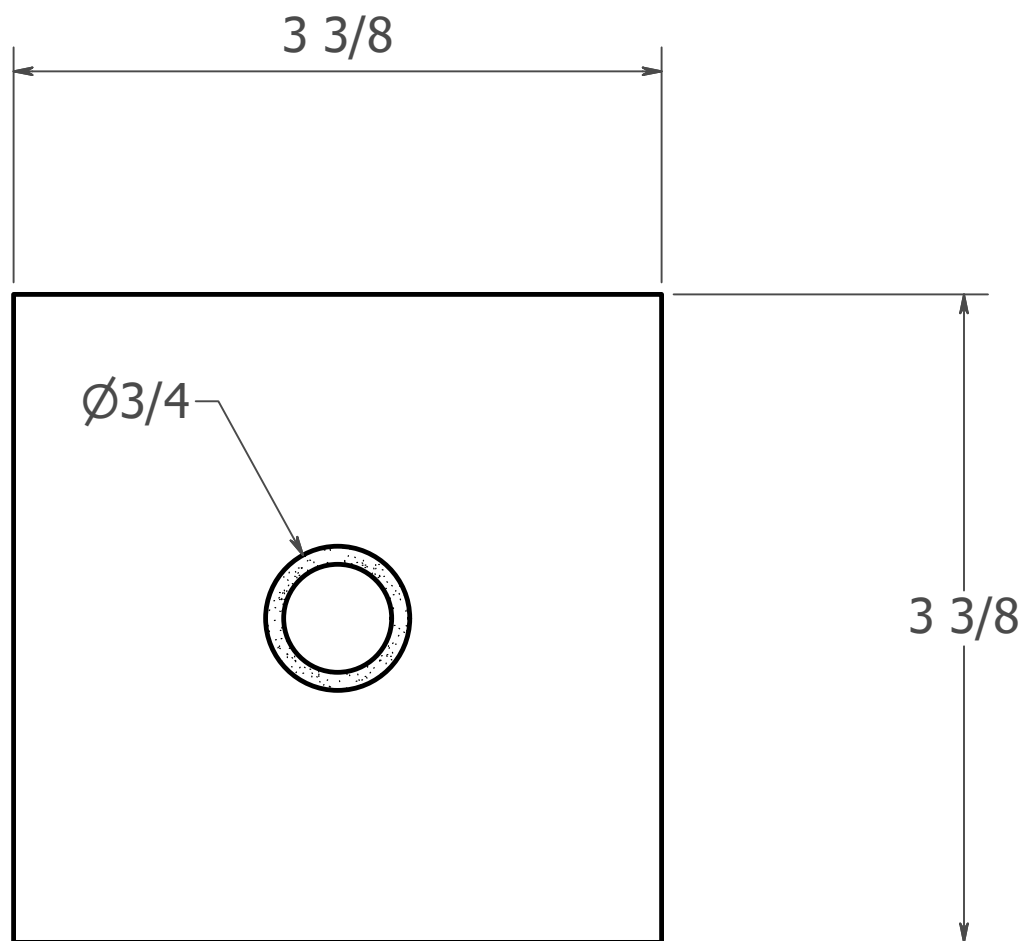
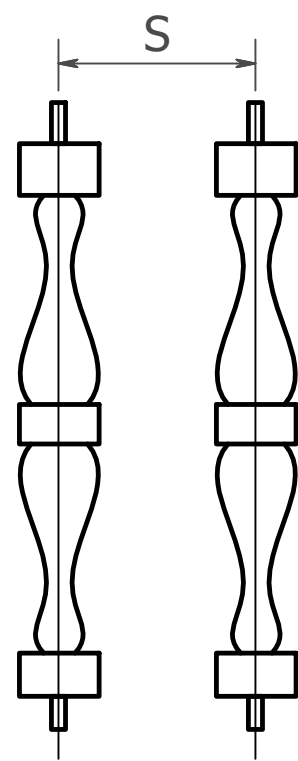


FRONT
SCALE 1 / 2

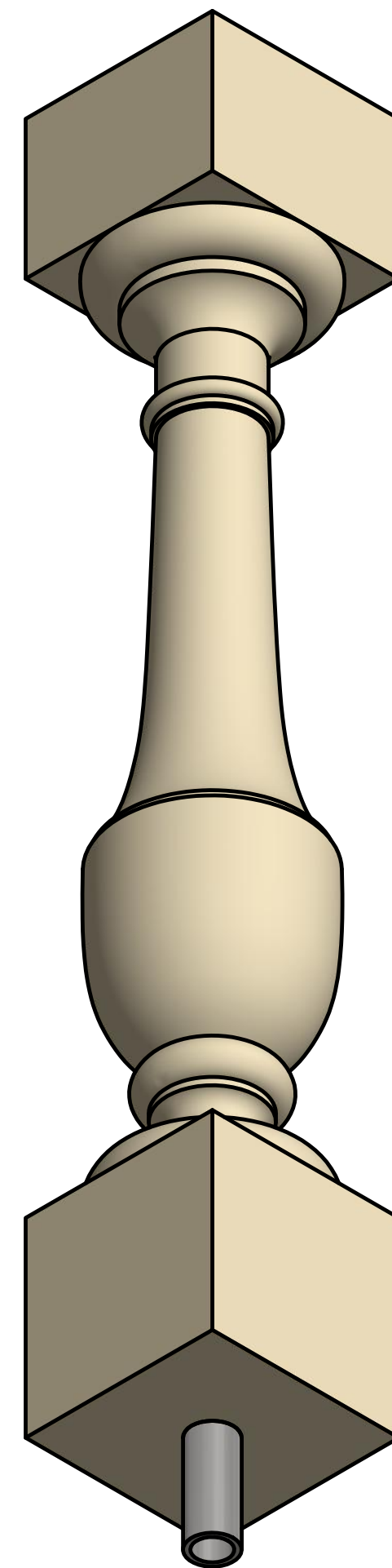


SECTION A-A
SCALE 1 : 1



DISTANCE BETWEEN
BALUSTERS = S

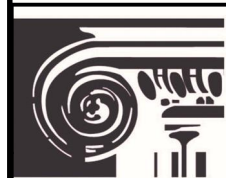
S = 5.3125



3D
SCALE 1 / 2

NOTE 1: MEASUREMENTS TAKEN FROM PRODUCTION PARTS.
DRAWINGS MAY VARY SLIGHTLY FROM ACTUAL PARTS.

| REV | DESCRIPTION | DATE | APVD. |
|-----|-------------|------|-------|
| | | | |
| | | | |
| | | | |

| | | | | | |
|--|---|-----------------------|---------------------|------------------|-----------|
|  WORTHINGTON American Made Architectural Products 17842 Ashley Drive, Suite C Panama City Beach, FL 32413 Phone: 800.872.1608 Fax : 850.640.0488 e-mail Sales@worthingtonmillwork.com WEB: www.worthingtonmillwork.com | DWG NO: WBAL-3000-20 | PART NO: WBAL-3000-20 | CLIENT: SIGN | DATE: | |
| | DWG BY: DNZ. | DATE: 6/15/2017 | TITLE: 20" BALUSTER | | |
| | FILED UNDER : | SCALE: SEE ABOVE | REV: | DIM. TOLERANCE : | SIZE: C |
| | ALL ITEMS ARE DRAWN FOR PRESENTATION PURPOSES ONLY, THEREFORE IMAGE SHOWN MAY VARY SLIGHTLY FROM FINISHED ACTUAL PART. DRAWING SHOWN IS TO INDICATE GENERAL ARRANGEMENT AND DESIGN. WORTHINGTON RESERVES THE RIGHT TO CHANGE ANY PRODUCT DESIGN WITHOUT NOTIFICATION. | | | | PAGE: 1/1 |