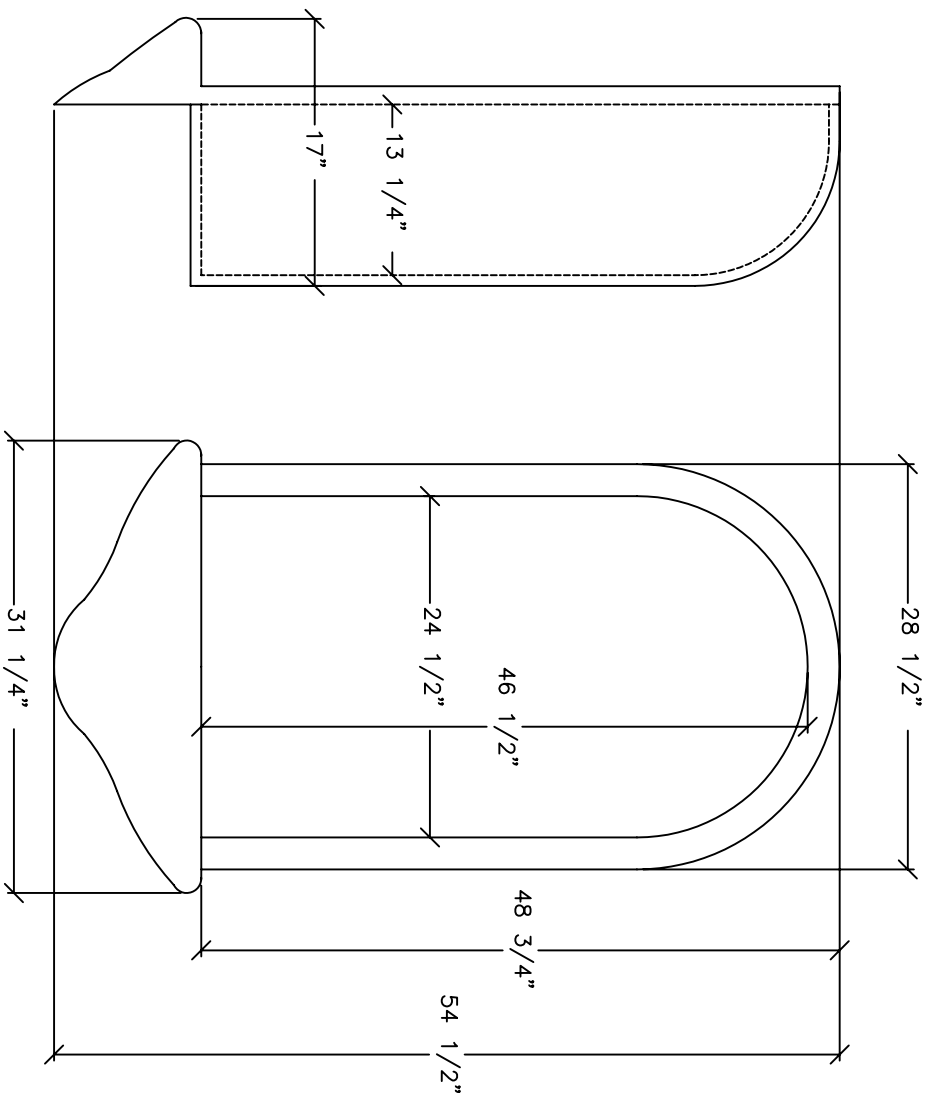
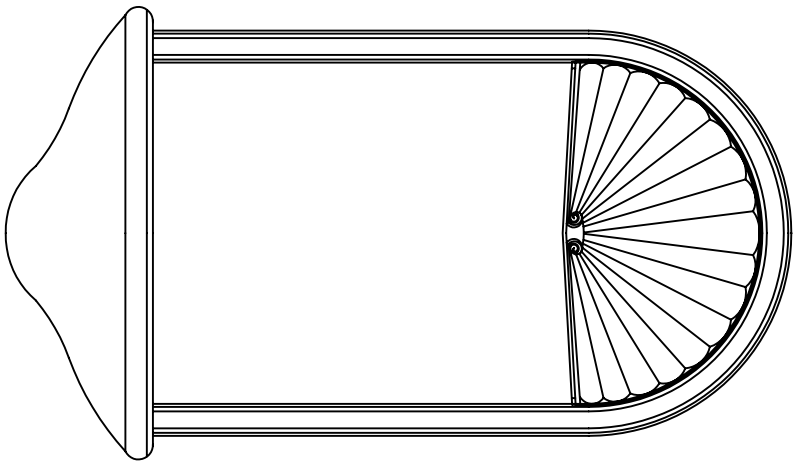


CUSTOMER SIGNATURE:

DATE:



# WORTHINGTON

YOUR ONLY SOURCE FOR FINE ARCHITECTURAL DETAILS

10175 FORTUNE PARKWAY, SUITE 502  
 JACKSONVILLE, FL 32256  
 PHONE: 1 - 800 - 872 - 1608 OR 904 - 281 - 1485  
 FAX: 904 - 281 - 1488 WorthingtonMillwork.com

DWG TITLE: NICHE 778

PRODUCT NO: UY0074

DATE: 28-08-07

DRAWN BY: RZ

DIM. TOLERANCE: N.A.

SCALE: 1"=1"

ALL RIGHTS RESERVED. THIS DRAWING IS THE PROPERTY OF WORTHINGTON GROUP LTD. AND MAY BE USED ONLY IN CONNECTION WITH CONSTRUCTION PROJECTS UTILIZING WORTHINGTON GROUP LTD. PRODUCTS. THIS DETAIL MAY NOT APPLY TO ALL CONDITIONS OR CONSTRUCTION SITUATIONS. FOR NON-TYPICAL CONDITIONS, CONSULT WORTHINGTON GROUP LTD.