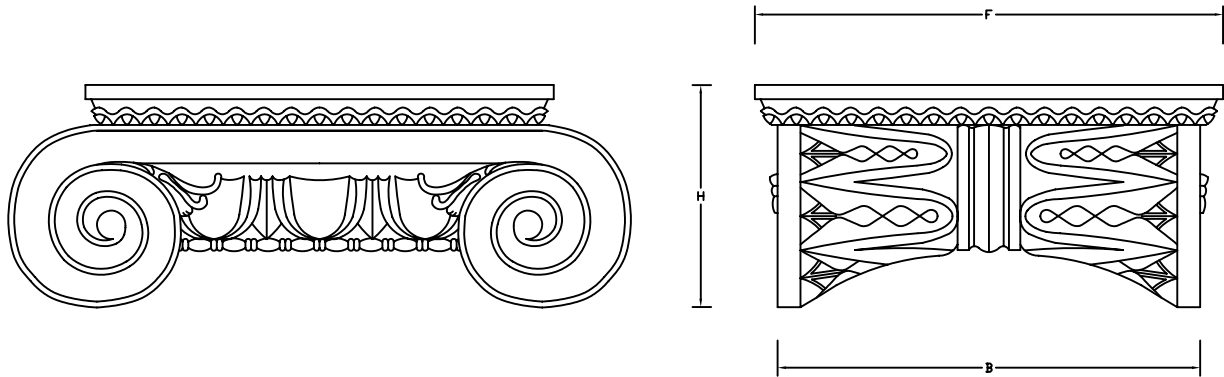


CUSTOMER SIGNATURE:

DATE:

**NOTE : AVAILABLE IN PLASTER AND POLYURETHANE



ROMAN IONIC CAPITAL AVAILABLE SIZES:

SIZE	WEIGHT	BOTTOM (B)	HEIGHT (H)	ABACUS (F)
6"	8	6 1/4"	2 5/8"	7 1/2"
8"	30	7 1/2"	3 1/2"	9 1/2"
10"	28	9"	4 1/4"	11 1/2"
12"	35	10 3/8"	4 1/2"	12 3/4"
14"	67	12"	5"	16 1/2"
16"	71	14"	6 3/8"	17 1/4"
18"	260	16"	6 1/2"	21 1/4 "
20"	410	18 1/2"	9"	25"
22"	560	20 1/2"	9 1/2"	25 1/8"
24"	560	20 1/2"	9 1/2"	25 1/8"



10175 FORTUNE PARKWAY, SUITE 502
JACKSONVILLE, FL 32256
PHONE: 1 - 800 - 872 - 1608 OR 904 - 281 - 1485
FAX: 904 - 281 - 1488 WorthingtonMillwork.com

DWG TITLE: ROMAN IONIC CAPITAL

PRODUCT NO:

DATE: 28-08-07

DRAWN BY: RZ

DIM. TOLERANCE: N.A.

SCALE: 1"=1"

ALL RIGHTS RESERVED. THIS DRAWING IS THE PROPERTY OF WORTHINGTON GROUP, LTD. AND MAY BE USED ONLY IN CONJUNCTION WITH CONSTRUCTION PROJECTS UTILIZING WORTHINGTON GROUP, LTD. PRODUCTS. THIS DETAIL MAY NOT APPLY TO ALL CONDITIONS OR CONSTRUCTION SITUATIONS. FOR NON-TYPICAL CONDITIONS, CONSULT WORTHINGTON GROUP LTD