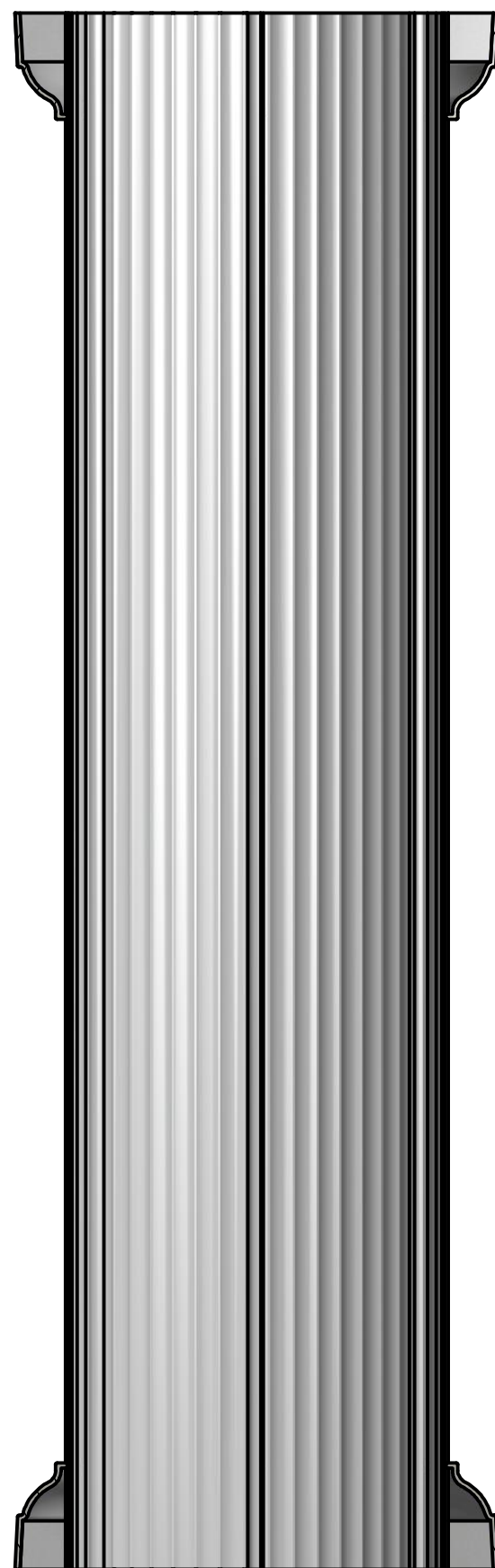
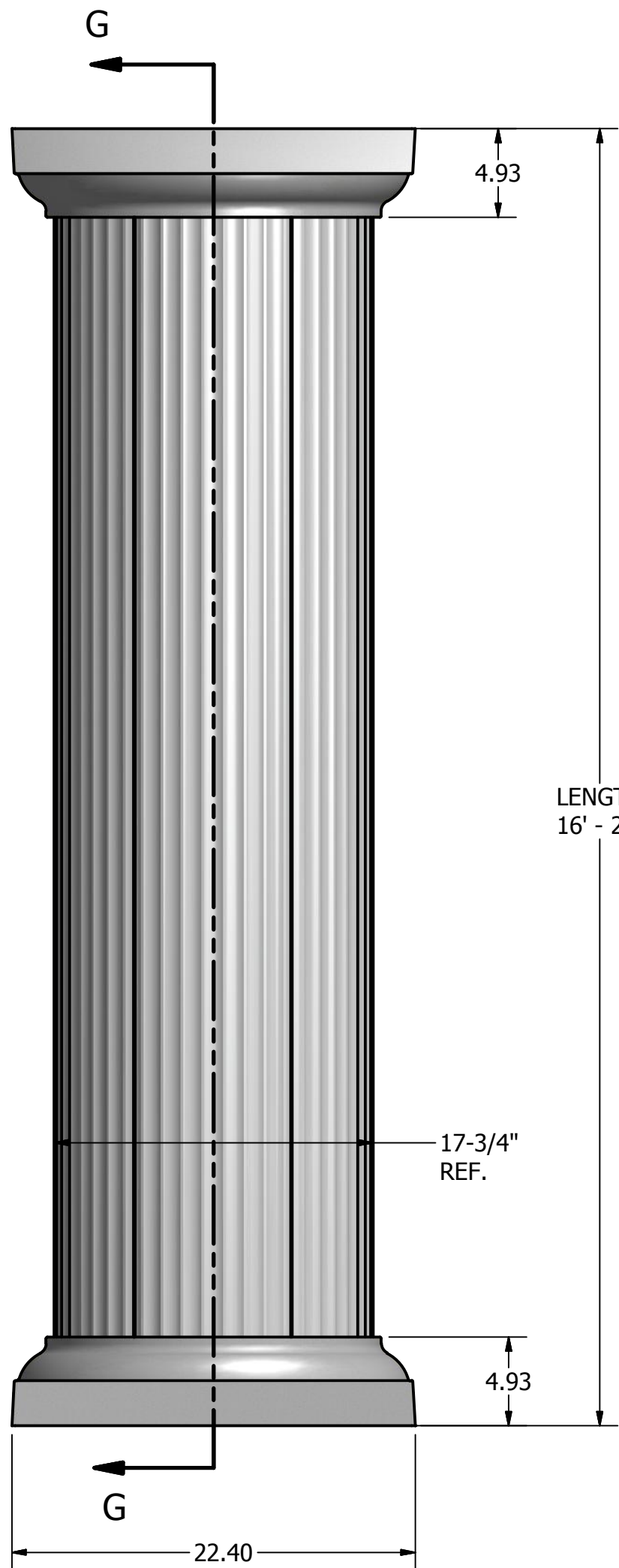


NOTE:
 1. DIMENSIONS AND NOTES ON THIS DRAWING SUPERSEDE TITLE BLOCK
 2. ALUMINUM ASSOCIATION STANDARD TOLERANCES APPLY FOR EXTRUSION PROFILE.
 3. ALL DIMENSIONAL LIMITS APPLY BEFORE COATING, I.E. PAINT COAT OR ANODIZE COAT.

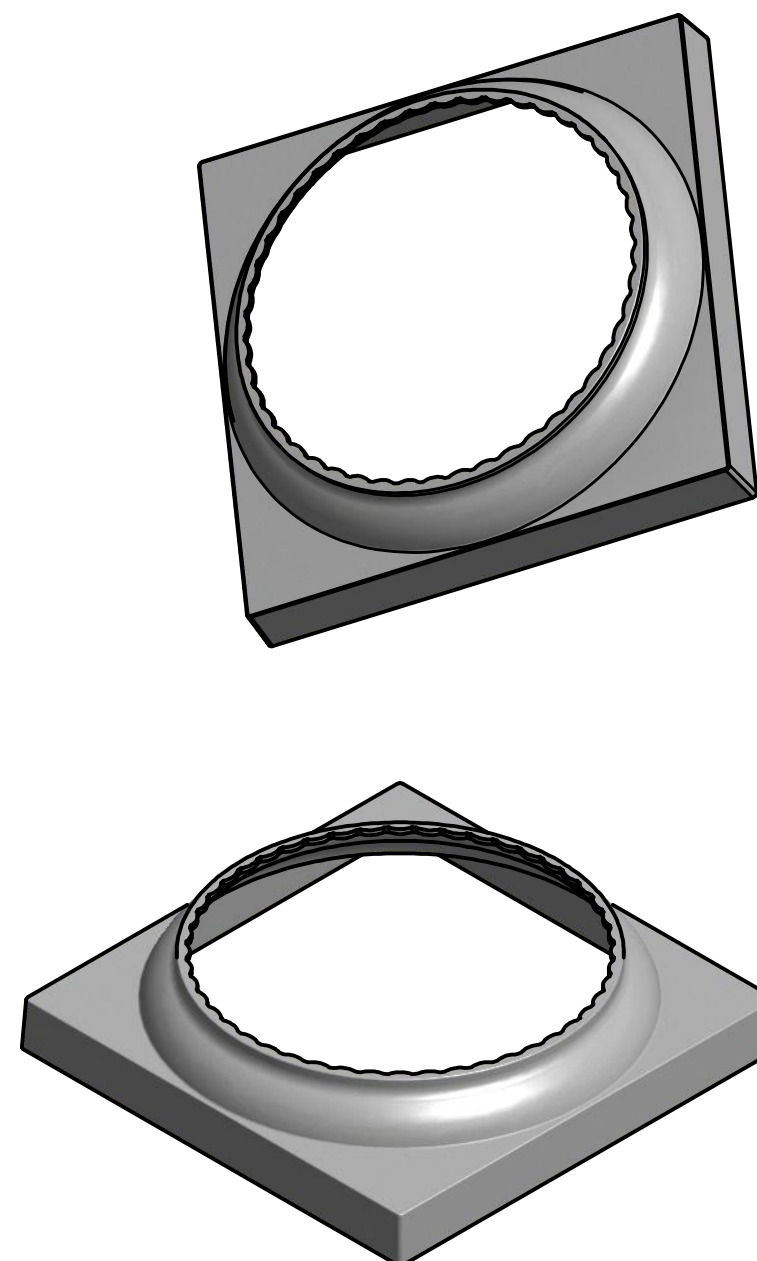
**UNCONTROLLED COPY
 FOR REFERENCE ONLY
 DATE: APRIL 1ST, 2014**

REVISION HISTORY				
REV	DESCRIPTION	ECN #	MFG APPRO	DATE
0				

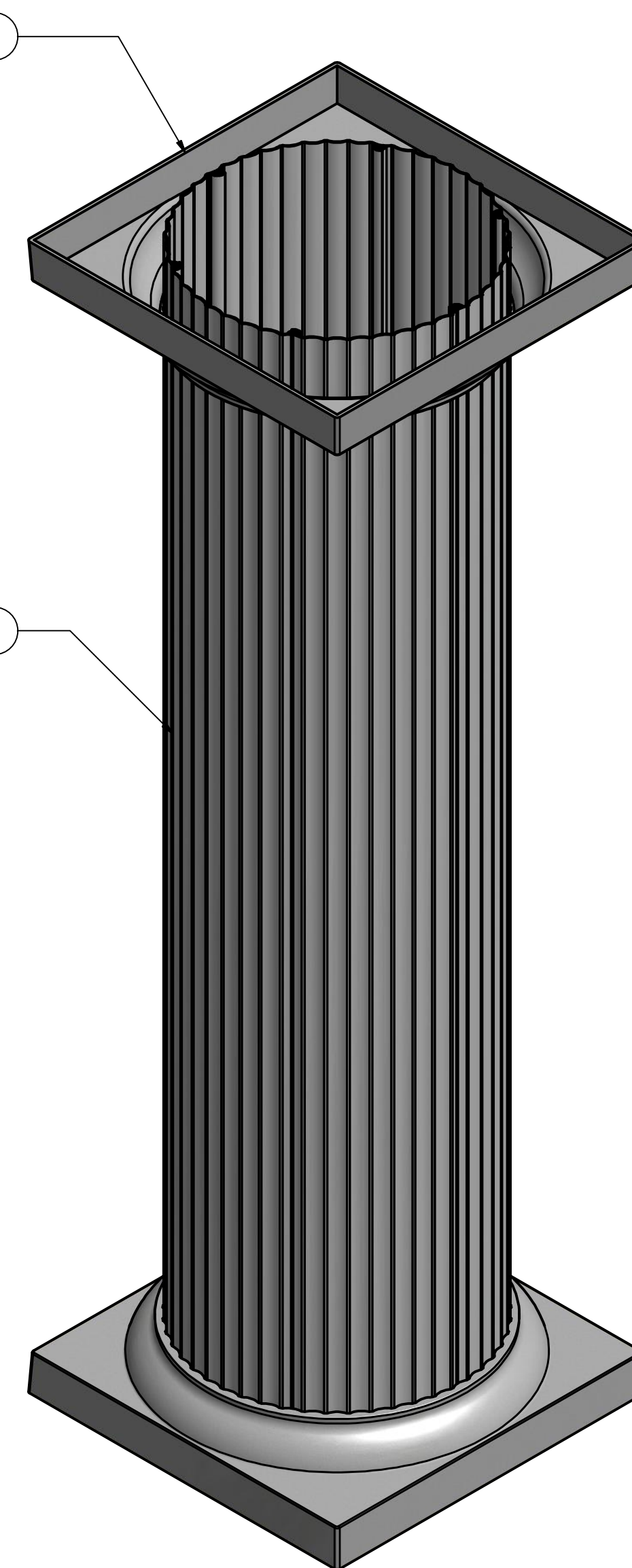
PARTS LIST		
ITEM	QTY	PART NUMBER
1	6	18in RD Column Stave
2	2	18in RD Cap&Base



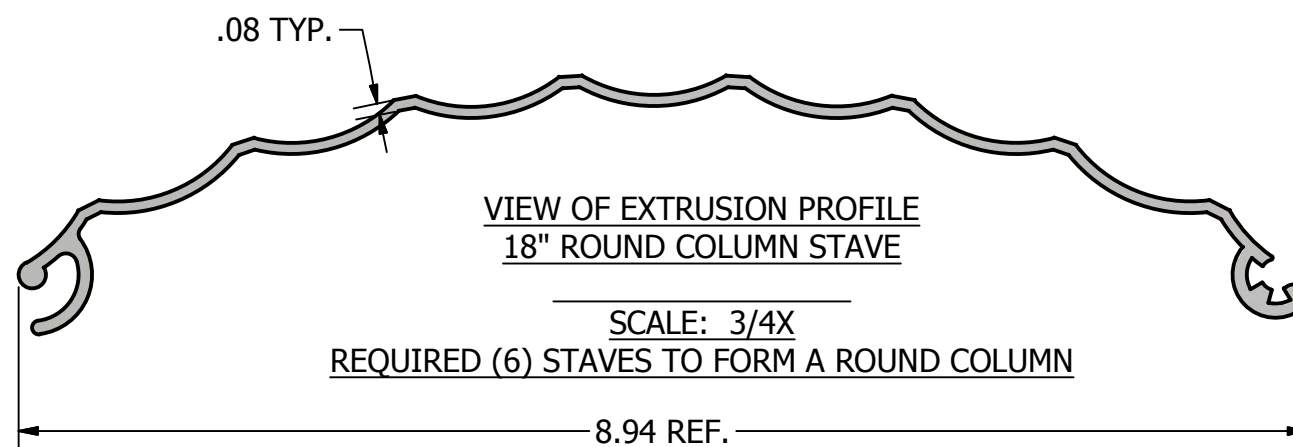
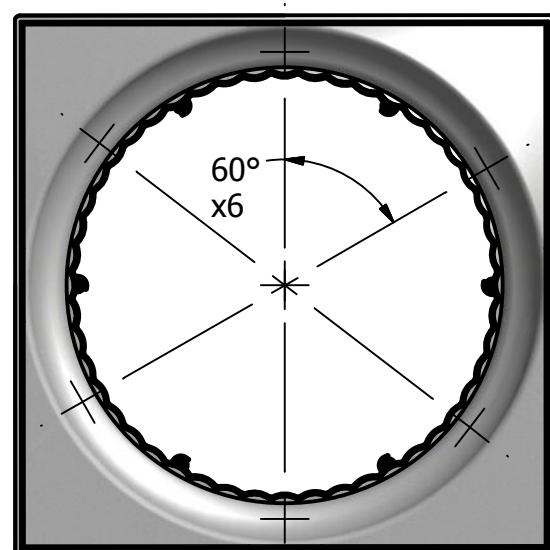
**SECTION G-G
 SCALE 1/8**



**18" ROUND CAP/BASE
 SCALE: 1/8X**



ISOMETRIC VIEW



**VIEW OF EXTRUSION PROFILE
 18" ROUND COLUMN STAVE
 SCALE: 3/4X
 REQUIRED (6) STAVES TO FORM A ROUND COLUMN**

DRAWN BY: DHL	DATE: 4/1/2014		CUSTOMER:
FINISH: PAINTED	MASS: 66.828 lbmass (varies by length)		
MATERIAL: AL ALLOY SER.6000	ITEM CODE: NA	SIZE: C	DRAWING NO.: 18in Round Column Assembly
LENGTH: VAR. 16' -24'	CAD FILE: WORTHINGTON COLUMN/3D FILES/18" RD COLUMN	DO NOT SCALE DRAWING	
THE INFORMATION CONTAINED IN THIS DRAWING IS THE SOLE PROPERTY OF WORTHINGTON MILLWORK, LLC. ANY REPRODUCTION IN PART OR WHOLE WITHOUT THE WRITTEN PERMISSION WORTHINGTON MILLWORK, LLC IS PROHIBITED.		SHEET 1 OF 1	

THE INFORMATION CONTAINED IN THIS DRAWING IS THE SOLE PROPERTY OF WORTHINGTON MILLWORK, LLC. ANY REPRODUCTION IN PART OR WHOLE WITHOUT THE WRITTEN PERMISSION WORTHINGTON MILLWORK, LLC IS PROHIBITED.

[.XXX : ±.020] [.XX : ±.031] [.X : ±.063]