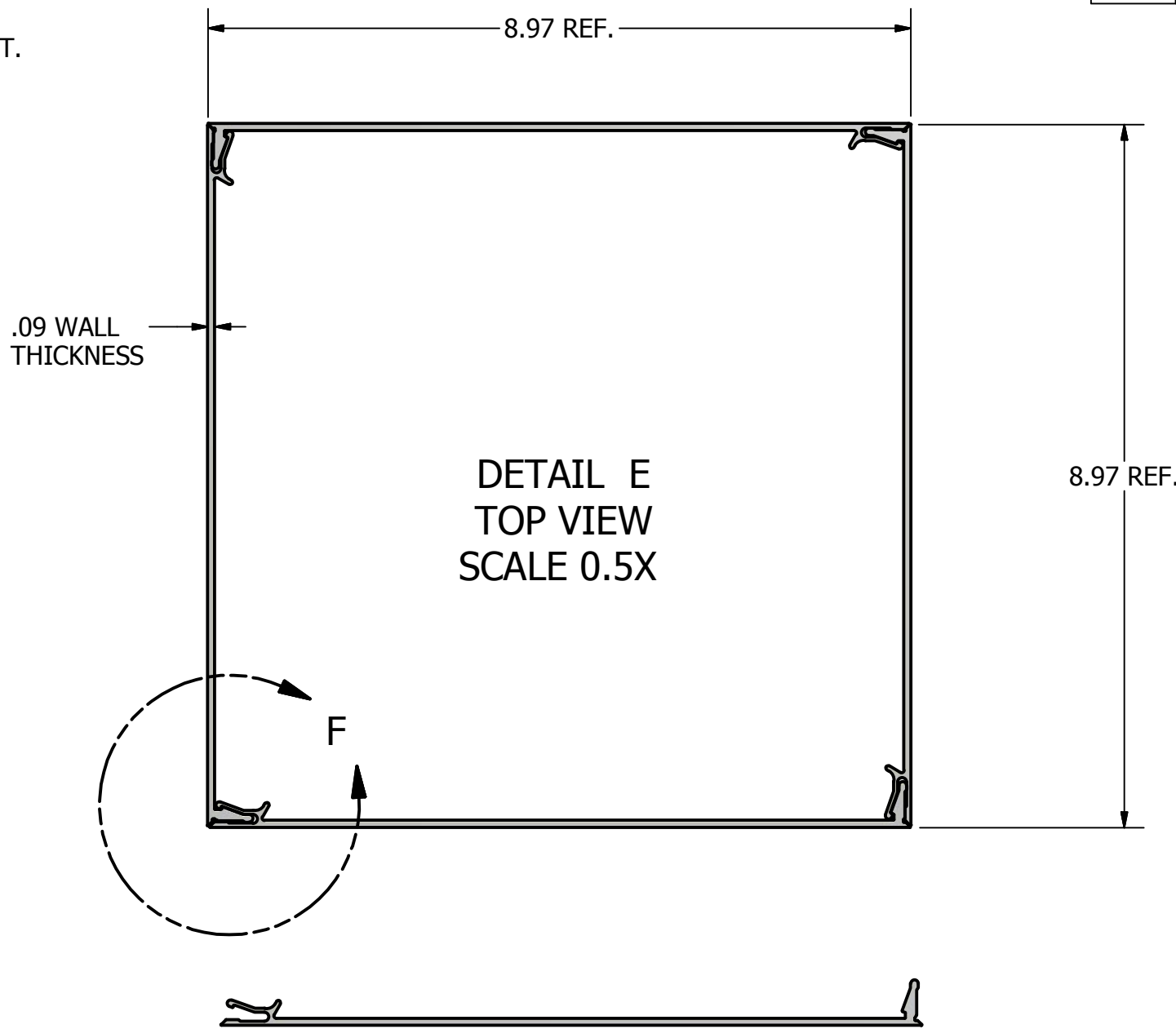
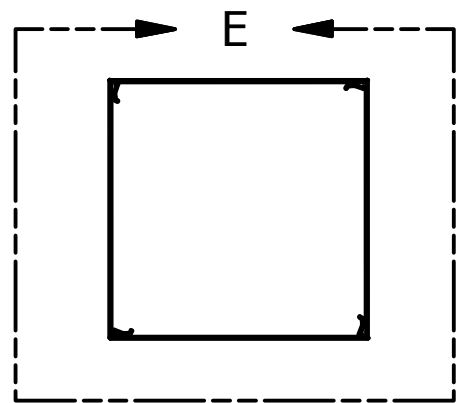
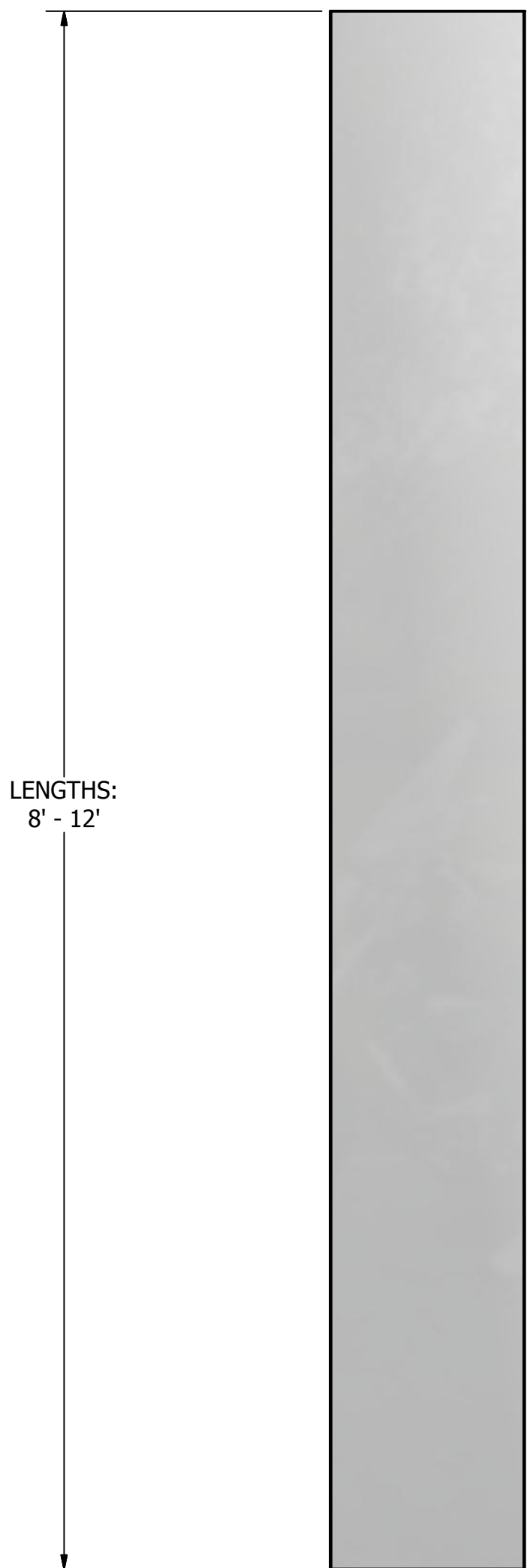


- NOTE:**  
 1. DIMENSIONS AND NOTES ON THIS DRAWING SUPERSEDE TITLE BLOCK  
 2. ALUMINUM ASSOCIATION STANDARD TOLERANCES APPLY FOR EXTRUSION PROFILE.  
 3. ALL DIMENSIONAL LIMITS APPLY BEFORE COATING, I.E. PAINT COAT OR ANODIZE COAT.

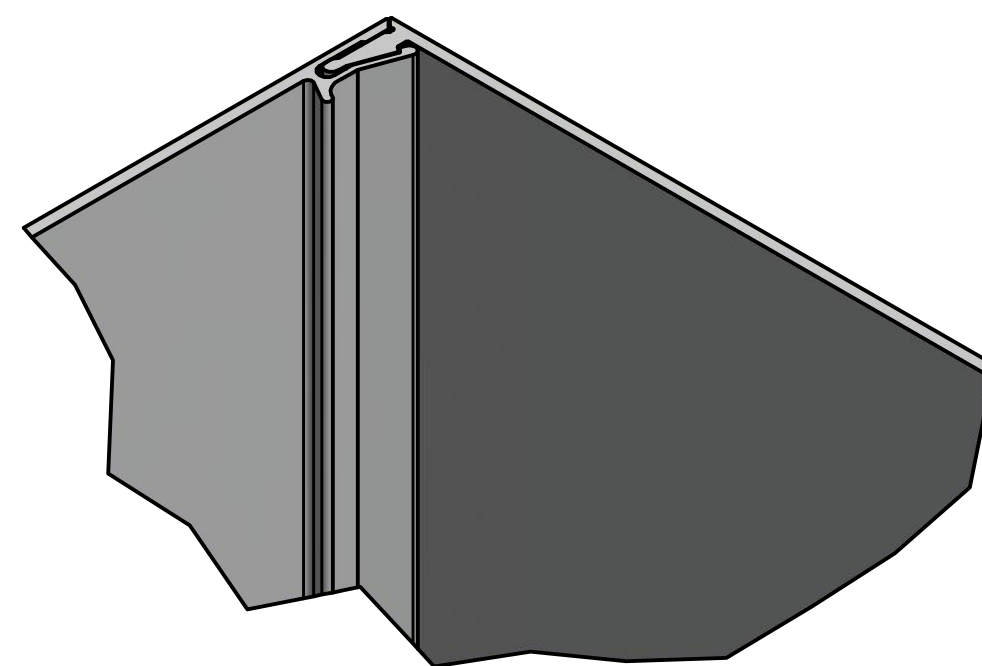
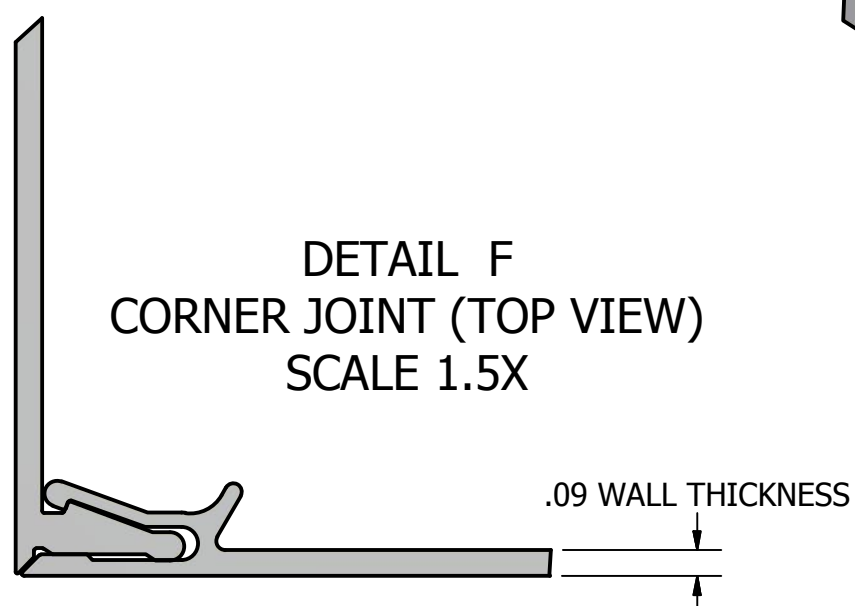
REVISION HISTORY				
REV	DESCRIPTION	ECN #	MFG APPRO	DATE
0				



VIEW OF EXTRUSION PROFILE  
 AFCO DIE # AF-3880  
 SEE DIE PRINT FOR MORE IN DETAIL



UNCONTROLLED COPY  
 FOR REFERENCE ONLY  
 DATE: 07APRIL 2014




ISOMETRIC VIEW

8.97" SQUARE COLUMN  
 REF.

THE INFORMATION CONTAINED IN THIS DRAWING IS THE SOLE PROPERTY  
 OF WORTHINGTON MILLWORK, LLC. ANY REPRODUCTION IN PART OR WHOLE  
 WITHOUT THE WRITTEN PERMISSION OF WORTHINGTON, LLC. IS PROHIBITED.

[.XXX : ±.020] [.XX : ±.0]

DRAWN BY: DHLE	DATE: 4/7/2014	
FINISH: PAINTED		
MASS: N/A	CUSTOMER: WORTHINGTON MILLWORK	
MATERIAL: AL ALLOY SER.6000	PART NAME: 9" EMPIRE COL ASSY	
ITEM CODE: NA	SIZE C	DRAWING NO.: 9in Empire Column Assy
LENGTH: 8' - 12'		REV.
CAD FILE: ENG/ COL/9"EMPIRE COL/...	DO NOT SCALE DRAWING	SHEET 1 OF 1