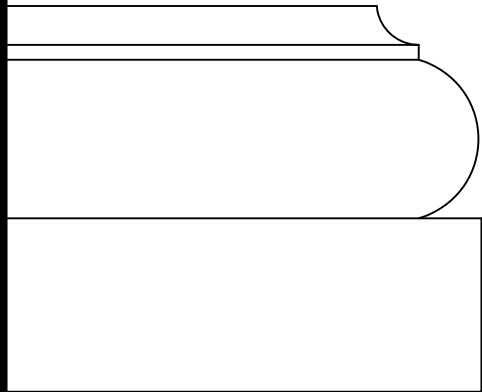
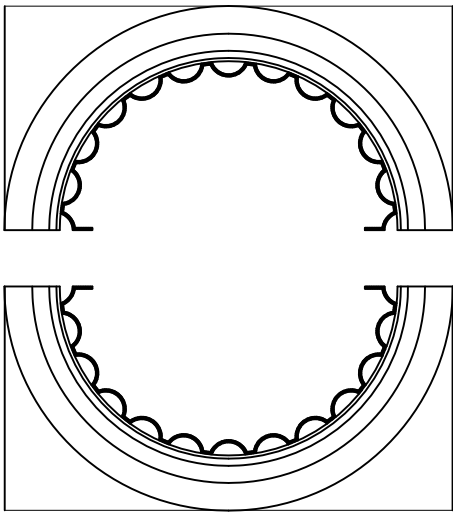


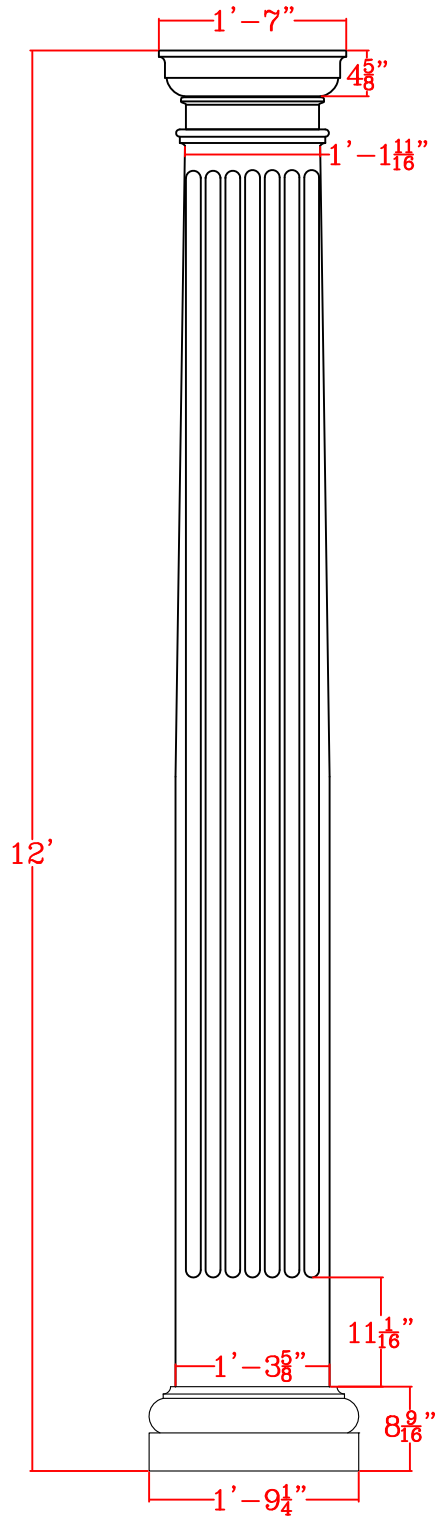
Cap Detail



Base Detail



Plan Type A



Worthington ~ American Made Architectural Products

Project:	Date:	Qty:
Contractor:	Drawn By: Kyle B.	
Architect:	Sheet No.	of