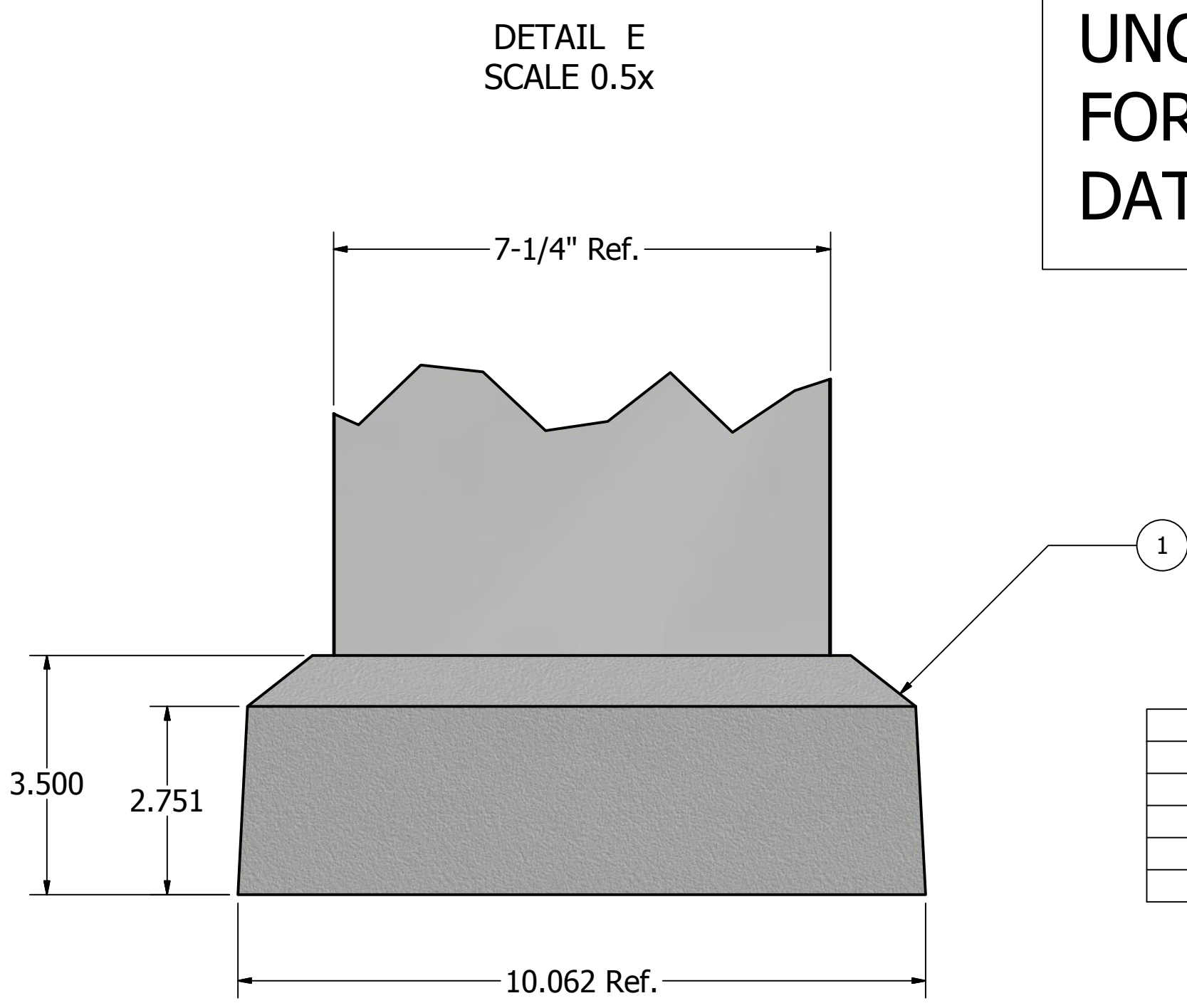
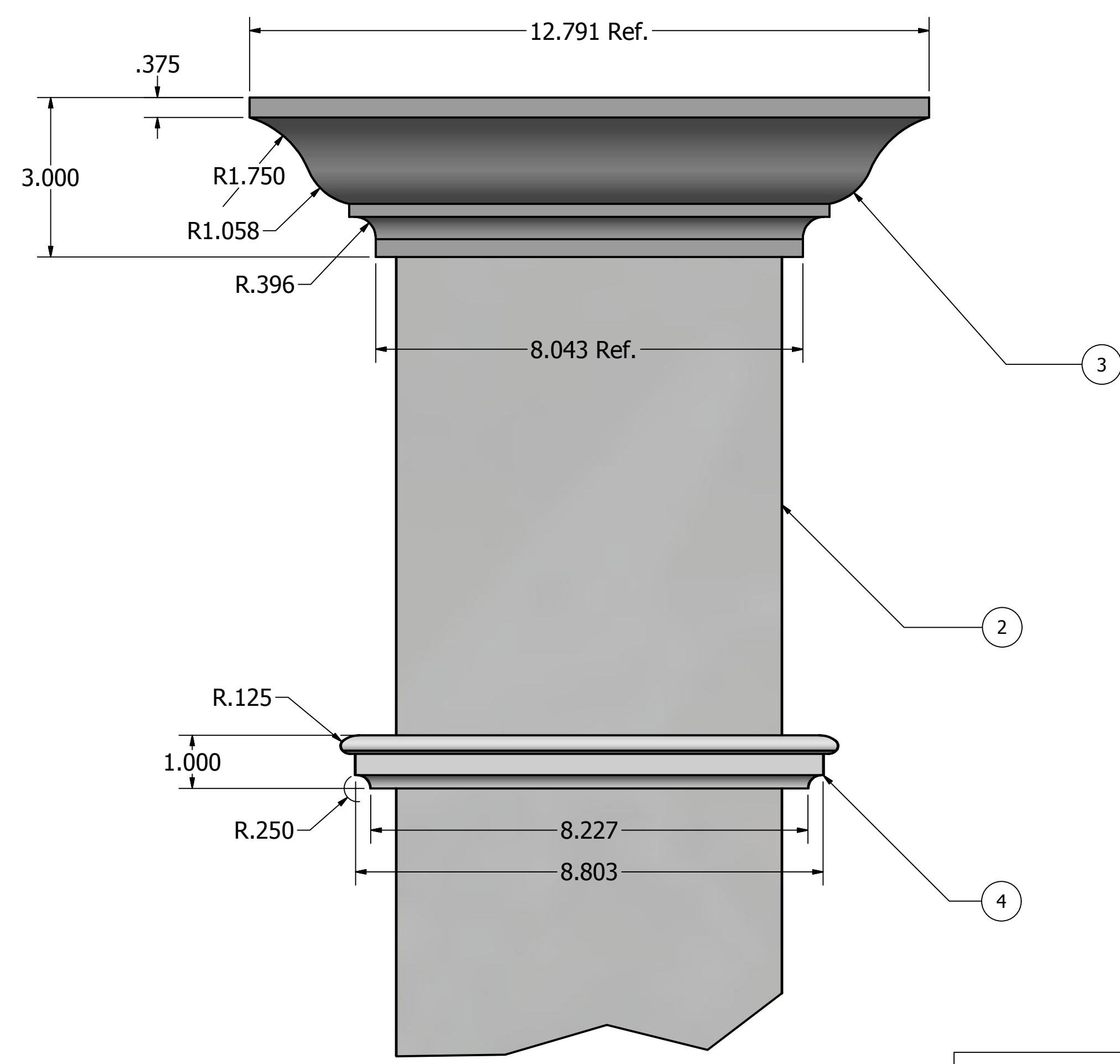
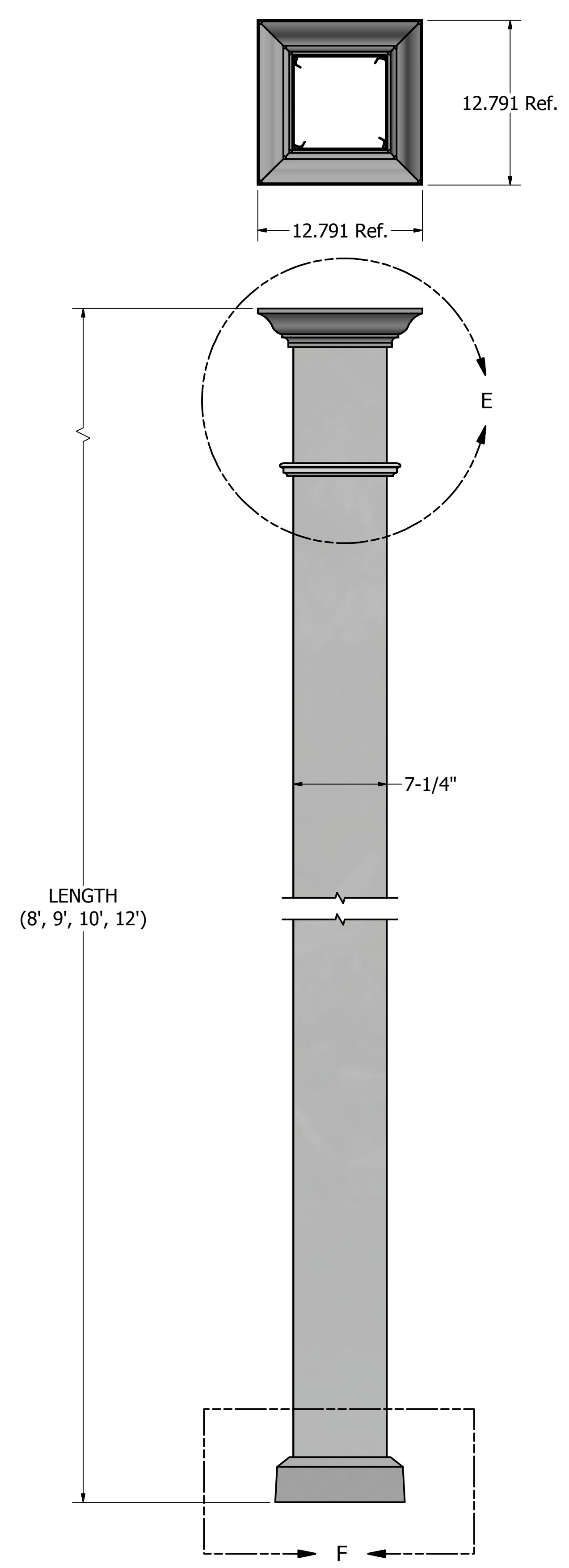


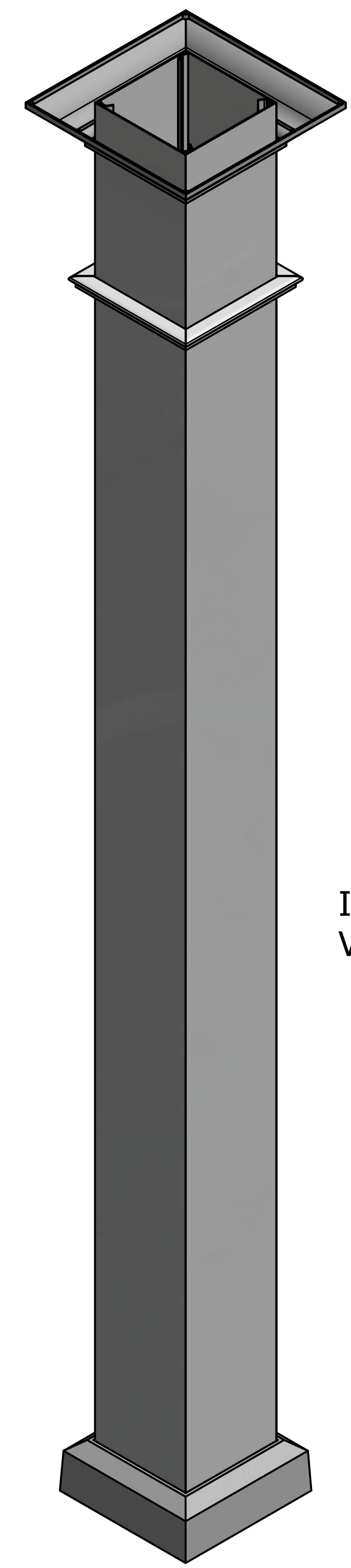
NOTE:
 1. DIMENSIONS AND NOTES ON THIS DRAWING SUPERSEDE TITLE BLOCK
 2. ALUMINUM ASSOCIATION STANDARD TOLERANCES APPLY FOR EXTRUSION PROFILE.
 3. ALL DIMENSIONAL LIMITS APPLY BEFORE COATING, I.E. PAINT COAT OR ANODIZE COAT.

REVISION HISTORY				
REV	DESCRIPTION	ECN #	MFG APPRO	DATE
0				




**UNCONTROLLED COPY
 FOR REFERENCE ONLY
 DATE: 06-30-2016**

PARTS LIST		
ITEM	QTY	DESCRIPTION
1	1	8" Empire/Wellington Base
2	1	8" Wellington Column
3	1	8" Wellington Cap
4	1	8" Wellington Astragal



DIMENSIONS ARE IN INCHES.
 ALUMINUM ASSOCIATION STANDARD TOLERANCES APPLY FOR EXTRUSION PROFILE ONLY. UNLESS OTHERWISE SPECIFIED, FAB DIMS TOLERANCES ARE:
 FRACTIONAL: ±.01" ; ANGULARITY: ±1' [.XXX : ±.020] [.XX : ±.031] [.X : ±.063]

THE INFORMATION CONTAINED IN THIS DRAWING IS THE SOLE PROPERTY OF AFCO INDUSTRIES, INC. ANY REPRODUCTION IN PART OR WHOLE WITHOUT THE WRITTEN PERMISSION OF WORTHINGTON IS PROHIBITED.

DRAWN BY: DHLE	DATE: 9/12/2014	 American Made Architectural Products	CUSTOMER:
FINISH: PAINTED	MATERIAL: AL ALLOY SER.6000		
MASS: N/A	ITEM CODE: NA	SIZE	DRAWING NO.:
LENGTH: 96"	CAD FILE: M:/ENGCOLUMNS/3D MODELS/...	D 8" Wellington Column Assy	
DO NOT SCALE DRAWING			REV. 0
SHEET 1 OF 1			