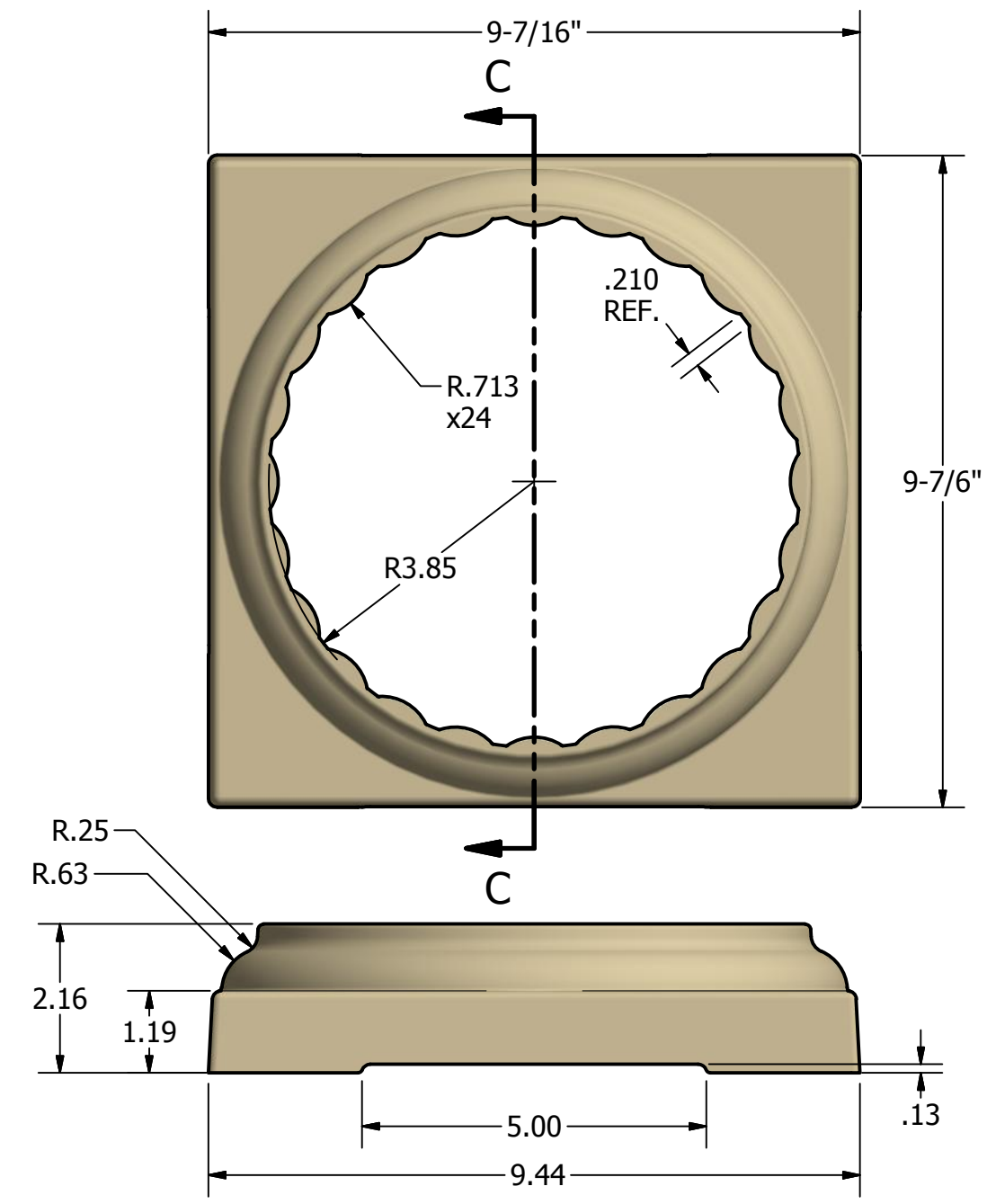
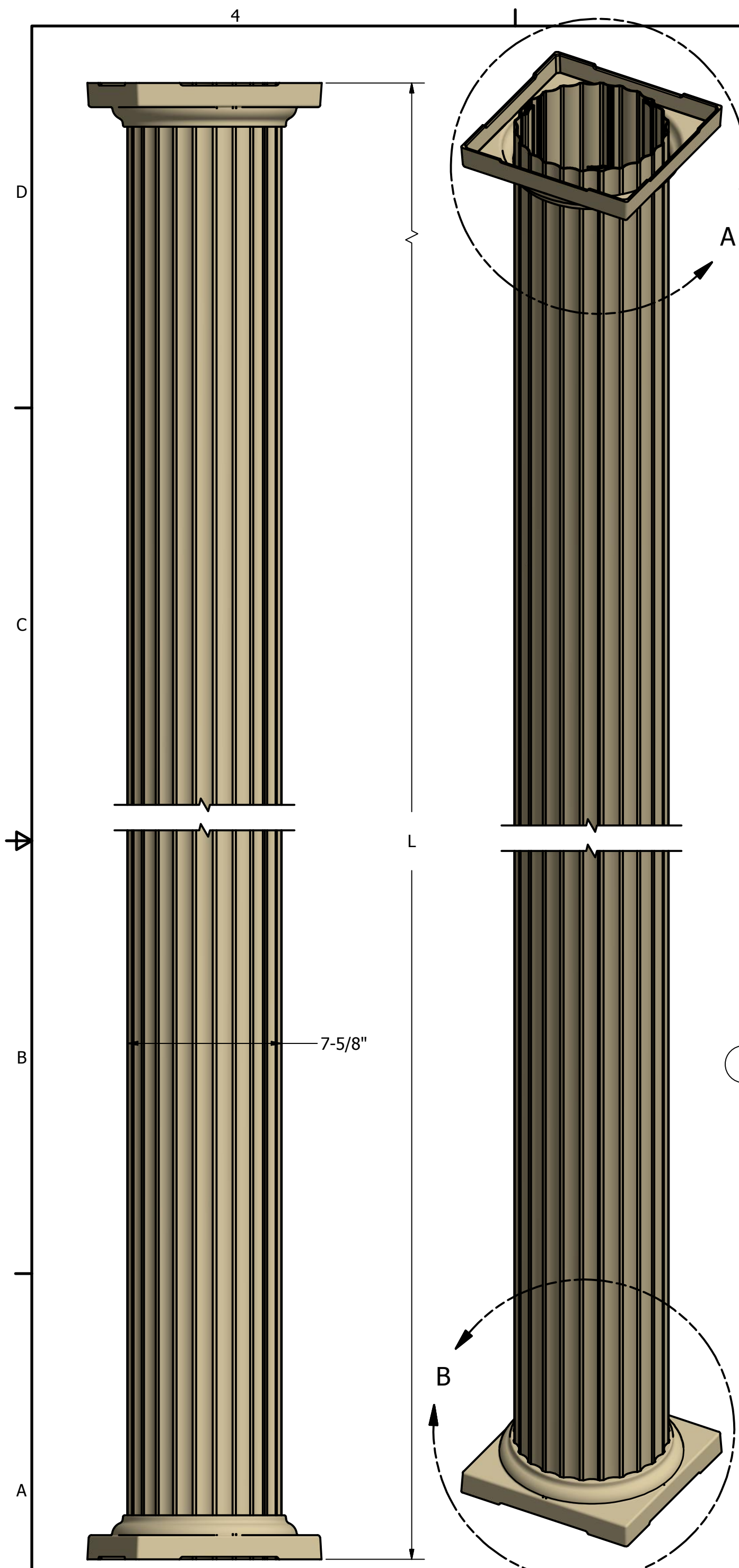
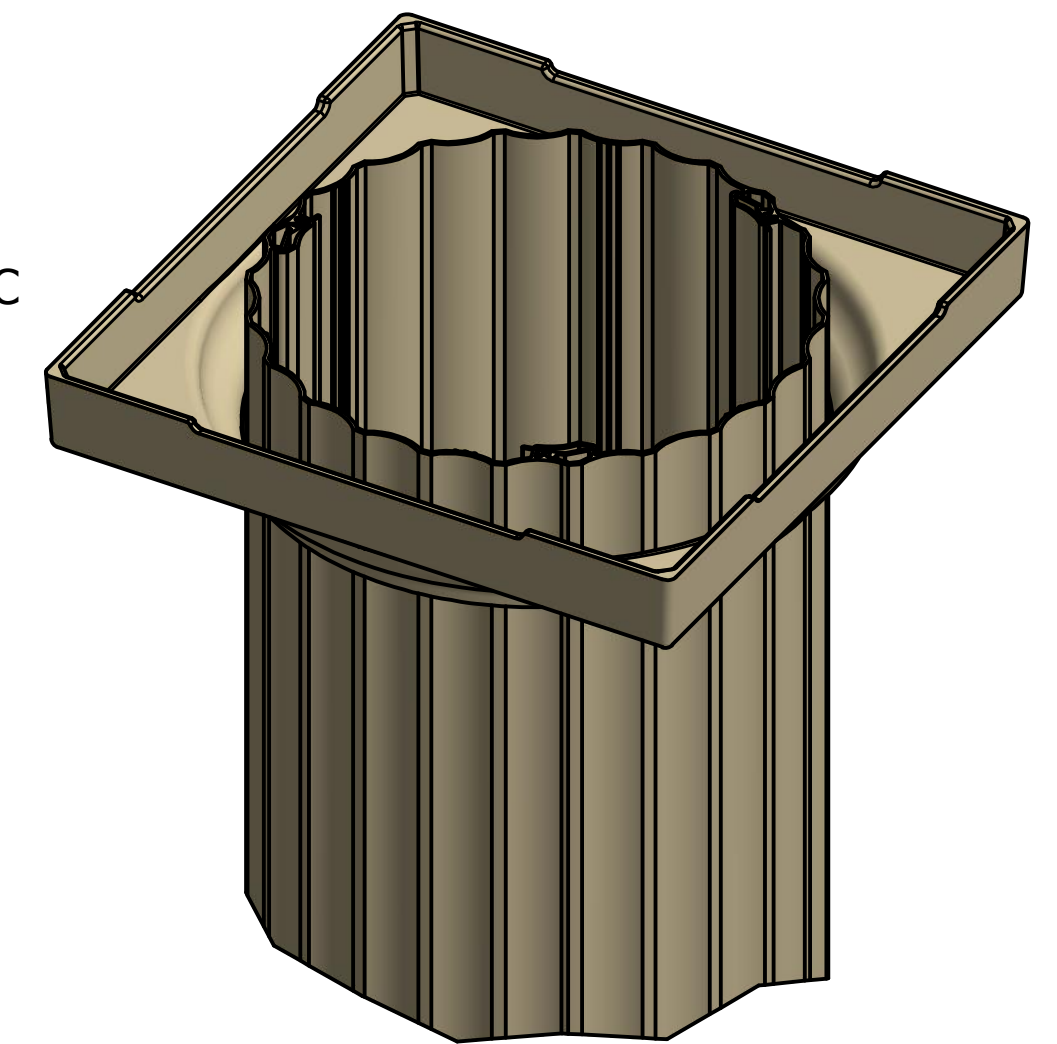


| REVISION HISTORY |     |             |       |           |      |
|------------------|-----|-------------|-------|-----------|------|
| ZONE             | REV | DESCRIPTION | ECN # | MFG APPRO | DATE |
|                  | 0   |             |       |           |      |

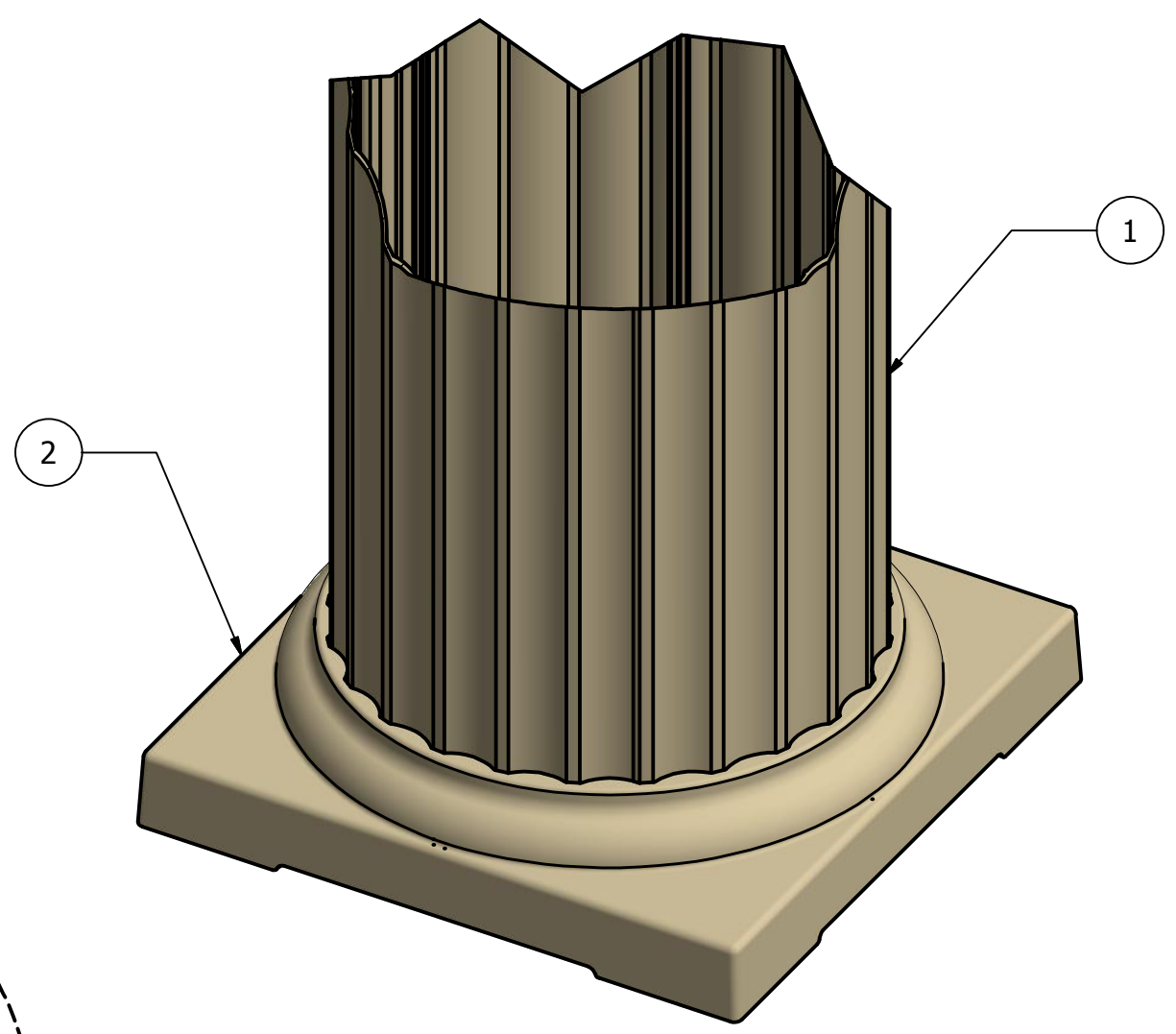
UNCONTROLLED DOCUMENT  
FOR REFERENCE ONLY  
DATE: 04/24/2013



SECTION C-C  
SCALE .40



DETAIL A VIEW  
SCALE .40



DETAIL B VIEW  
SCALE .40

**NOTE:**  
8" ROUND ALUMINUM COLUMN IS AVAILABLE IN THE  
FOLLOWING LENGTH:

L = 8', 9', 10', 12', 16', 18' AND 20'

| PARTS LIST |     |                     |                      |
|------------|-----|---------------------|----------------------|
| ITEM       | QTY | PART NUMBER         | DESCRIPTION          |
| 1          | 1   | 8in RD ALUM COLUMN  | 8" RD ALUM COLUMN    |
| 2          | 2   | 8in RD ASA Cap/Base | 8" RD NYLON CAP/BASE |

|   |                            |                                |  |   |
|---|----------------------------|--------------------------------|--|---|
| DRAWN BY:<br>DHLE   | DATE:<br>4/23/2013         | WORTHINGTON MILLWORK           |  |   |
| FINISH:<br>PAINTED  | MASS:<br>NA                | CUSTOMER: ALUMINUM PRODUCTS    |  |   |
| MATERIAL:<br>ALUM ALLOY 6063-T6   | ITEM CODE:<br>NA           | 8" RD ALUMINUM COLUMN ASSEMBLY |  | A |
| LENGTH:<br>SEE TABLE  | CAD FILE: 8"RD ALUM COLUMN | SIZE:<br>C                     | DRAWING NO.:<br>8" RD ALUM COLUMN ASSEMBLY |   |
| DIMENSIONS ARE IN INCHES.<br>UNLESS OTHERWISE SPECIFIED,<br>TOLERANCES ARE:<br>FRACTIONAL: ±1/32"; ANGULARITY: ±1'<br>3 PLACES DECIMAL: ±.020"<br>2 PLACES DECIMAL: ±.031"<br>1 PLACE DECIMAL: ±.063" |                            | DO NOT SCALE DRAWING           | REV.<br>0                                  |   |

THE INFORMATION CONTAINED IN THIS DRAWING IS THE SOLE PROPERTY  
OF WORTHINGTON MILLWORK. ANY REPRODUCTION IN PART OR WHOLE  
WITHOUT THE WRITTEN PERMISSION OF WORTHINGTON IS PROHIBITED.