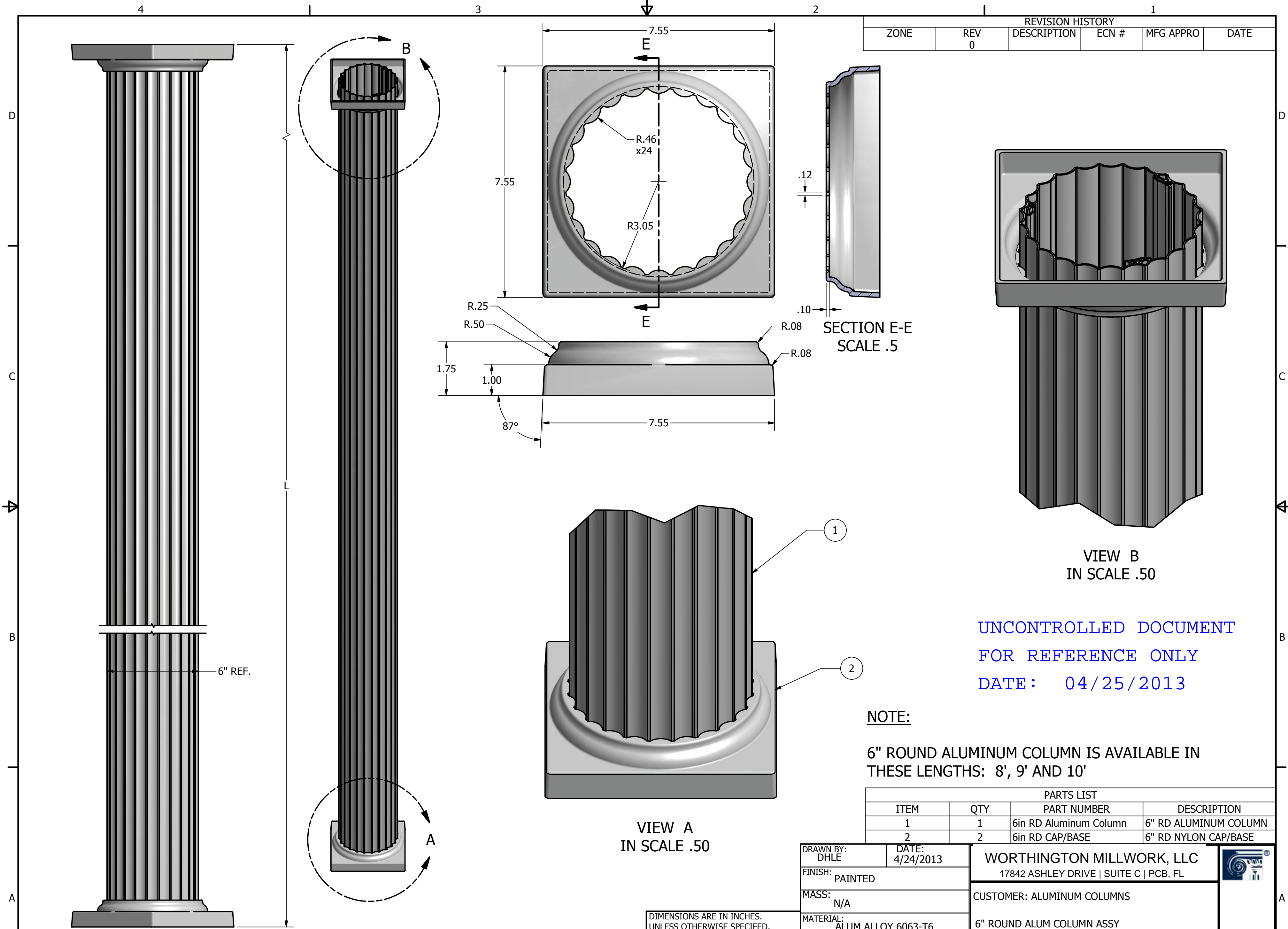


REVISION HISTORY					
ZONE	REV	DESCRIPTION	ECN #	MFG APPRO	DATE
	0				



VIEW B
IN SCALE .50

VIEW A
IN SCALE .50

SECTION E-E
SCALE .5

UNCONTROLLED DOCUMENT
FOR REFERENCE ONLY
DATE: 04/25/2013

NOTE:
6" ROUND ALUMINUM COLUMN IS AVAILABLE IN
THESE LENGTHS: 8', 9' AND 10'

PARTS LIST			
ITEM	QTY	PART NUMBER	DESCRIPTION
1	1	6in RD Aluminum Column	6" RD ALUMINUM COLUMN
2	2	6in RD CAP/BASE	6" RD NYLON CAP/BASE

DRAWN BY: DHLE	DATE: 4/24/2013	WORTHINGTON MILLWORK, LLC 17842 ASHLEY DRIVE SUITE C PCB, FL		
FINISH: PAINTED	MASS: N/A	CUSTOMER: ALUMINUM COLUMNS		
MATERIAL: ALUM ALLOY 6063-T6	ITEM CODE: NA	6" ROUND ALUM COLUMN ASSY		A
LENGTH: SEE TABLE	CAD FILE: 6" RD ALUM COL ASSY	SIZE: C	DRAWING NO.: 6" ROUND ALUM COL ASSY	
DIMENSIONS ARE IN INCHES. UNLESS OTHERWISE SPECIFIED, TOLERANCES ARE: FRACTIONAL: $\pm \frac{1}{32}$ " ; ANGULARITY: $\pm 1'$ 3 PLACES DECIMAL: $\pm .020$ " 2 PLACES DECIMAL: $\pm .031$ " 1 PLACE DECIMAL: $\pm .063$ "		DO NOT SCALE DRAWING	REV. 0	

THE INFORMATION CONTAINED IN THIS DRAWING IS THE SOLE PROPERTY
OF WORTHINGTON MILLWORK, LLC. ANY REPRODUCTION IN PART OR WHOLE
WITHOUT THE WRITTEN PERMISSION OF WORTHINGTON IS PROHIBITED.