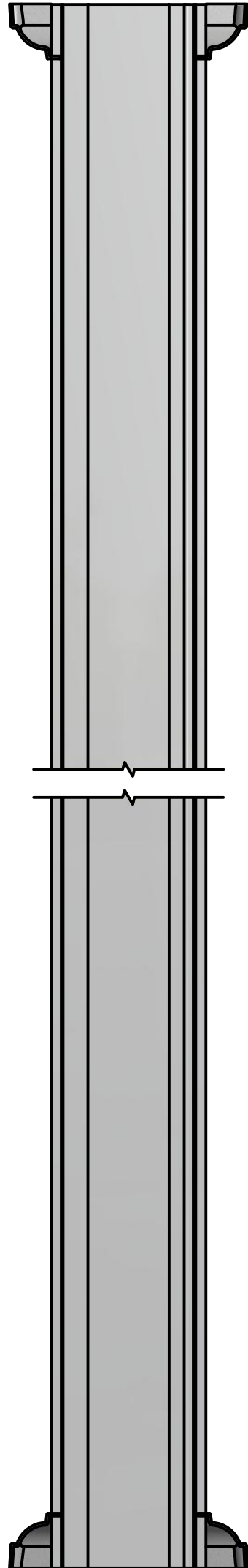
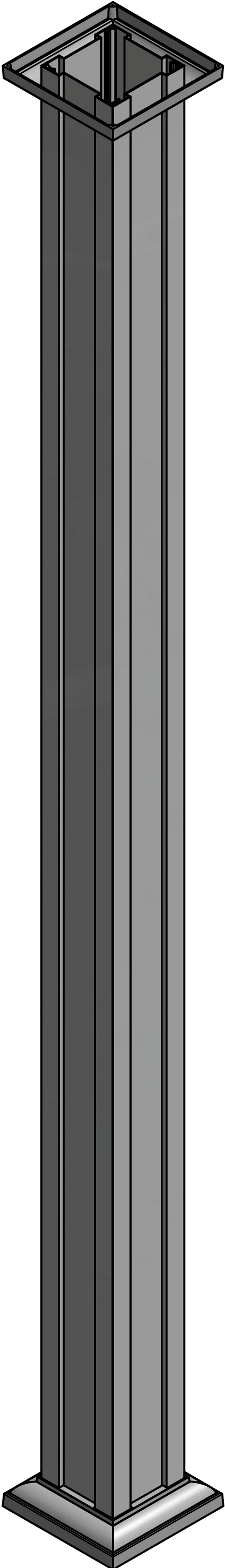
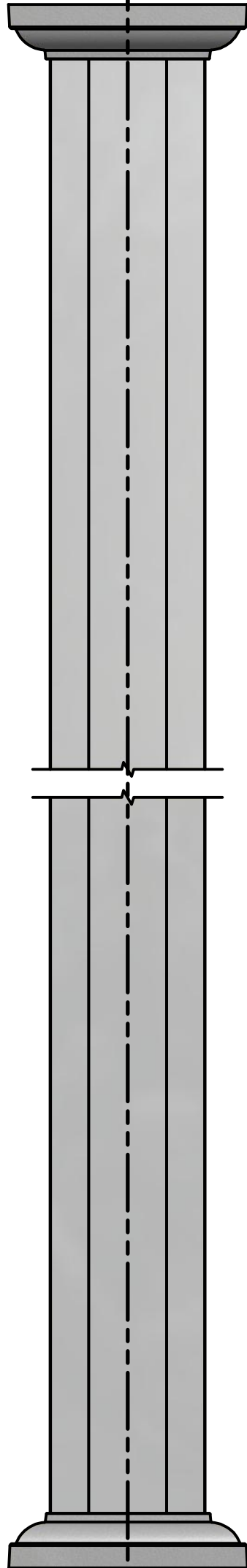
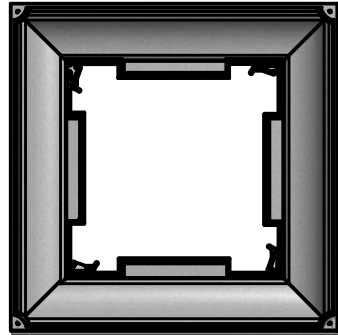


REVISION HISTORY				
REV	DESCRIPTION	ECN #	MFG APPRO	DATE
0				

UNCONTROLLED DOCUMENT  
DATE: 05-27-2014



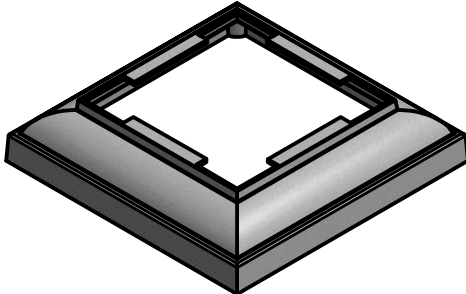
SECTION F-F  
SCALE .20



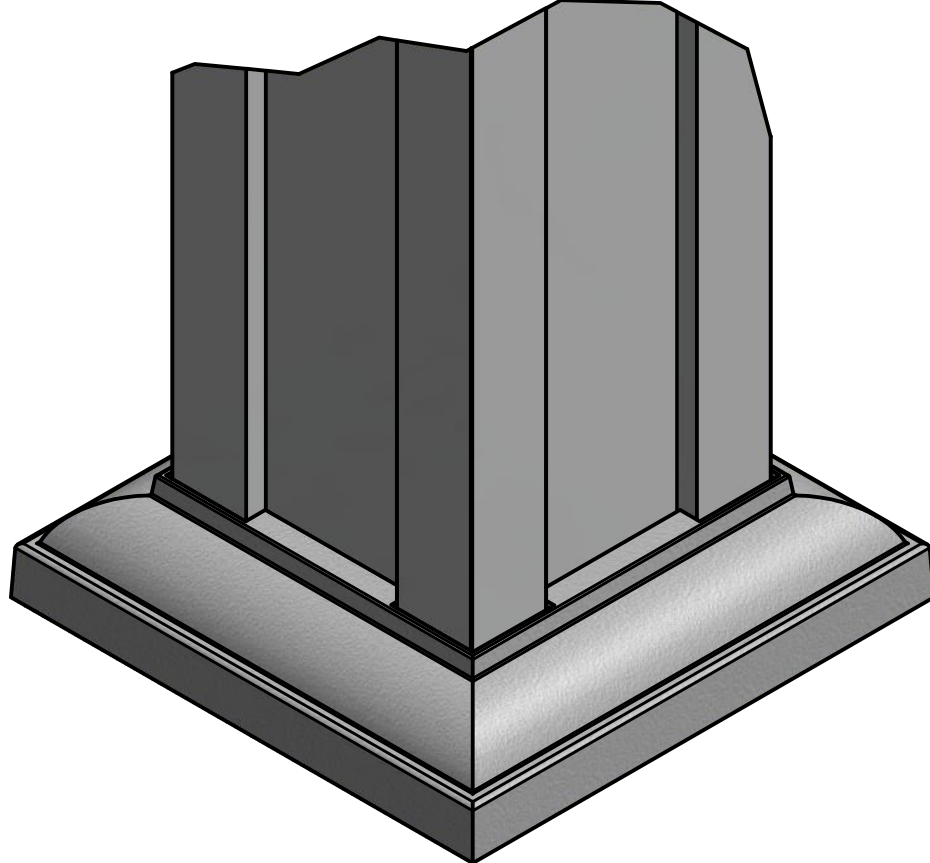
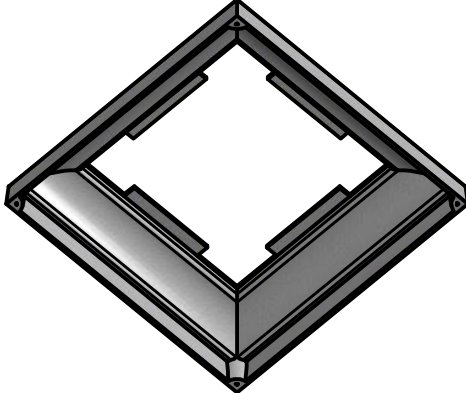
F

F

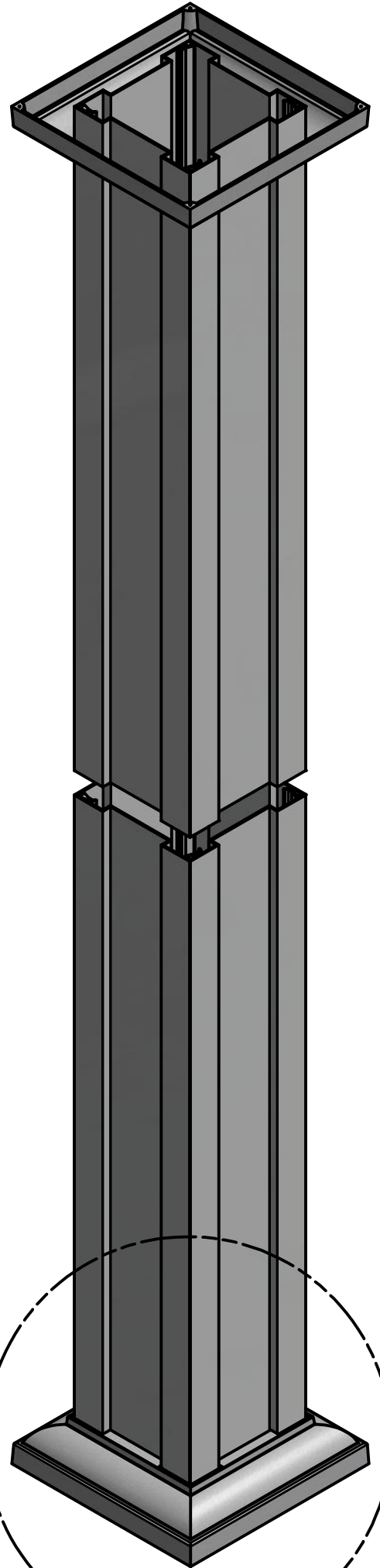
COLUMN LENGTH



6" ACADIAN CAP/BASE  
ISO METRIC VIEW



DETAIL E  
SCALE 0.40 : 1



ISOMETRIC VIEW

THE INFORMATION CONTAINED IN THIS DRAWING IS THE SOLE PROPERTY OF WORTHINGTON MILLWORK ANY REPRODUCTION IN PART OR WHOLE WITHOUT THE WRITTEN PERMISSION OF WORTHINGTON IS PROHIBITED.

DIMENSIONS ARE IN INCHES.  
ALUMINUM ASSOCIATION STANDARD TOLERANCES APPLY FOR EXTRUSION PROFILE ONLY. UNLESS OTHERWISE SPECIFIED, FAB DIMS TOLERANCES ARE:  
FRACTIONAL:  $\pm \frac{1}{32}$ "; ANGULARITY:  $\pm 1'$   
[.XXX :  $\pm .020$ ] [.XX :  $\pm .031$ ] [.X :  $\pm .063$ ]

DRAWN BY: DHLE	DATE: 5/27/2014	WORTHINGTON MILLWORK, LLC		
FINISH: TO BE PAINTED		CUSTOMER:		
MASS: N/A		PART NAME: 6" ACADIAN COL ASSY		
MATERIAL: AL ALLOY SER.6000		SIZE: C	DRAWING NO.:	REV. 0
ITEM CODE: NA		6in Acadian Column Assembly		
LENGTH: VARIES LENGTHS		DO NOT SCALE DRAWING		SHEET 1 OF 1
CAD FILE: M:/ENG/3D MODELS/6"ACADIAN/				