

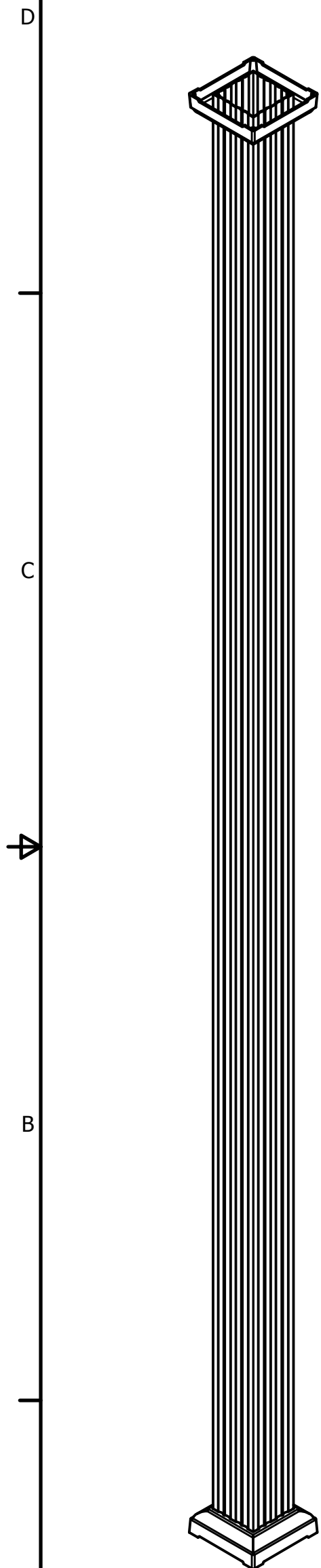
NOTE:

1. DIMENSIONS AND NOTES ON THIS DRAWING SUPERSEDE TITLE BLOCK
2. ALUMINUM ASSOCIATION STANDARD TOLERANCES APPLY FOR EXTRUSION PROFILE.
3. ALL DIMENSIONAL LIMITS APPLY BEFORE COATING, I.E. PAINT COAT OR ANODIZE COAT.

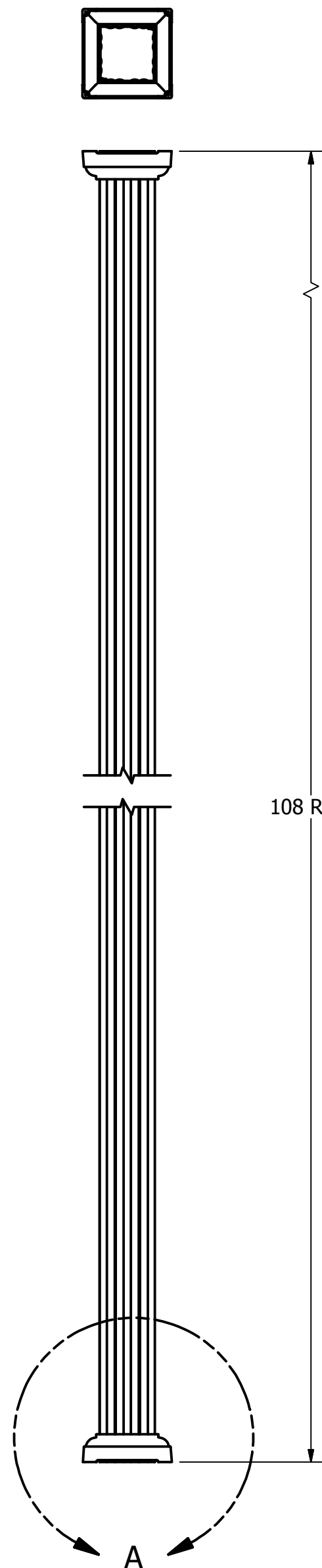
REVISION HISTORY				
REV	DESCRIPTION	ECN #	MFG APPRO	DATE
0				

PARTS LIST		
ITEM	QTY	DESCRIPTION
1	2	4" SQ. COLUMN STAVE
2	2	4" SQUARE CAP/BASE

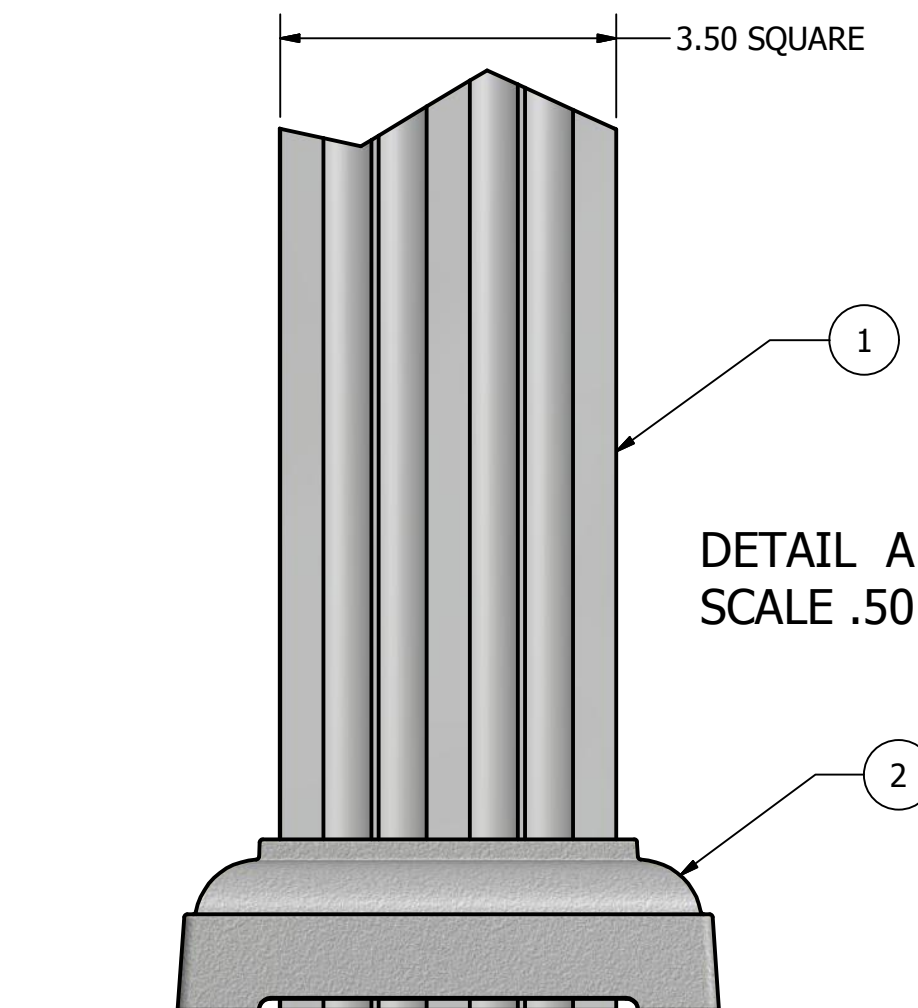
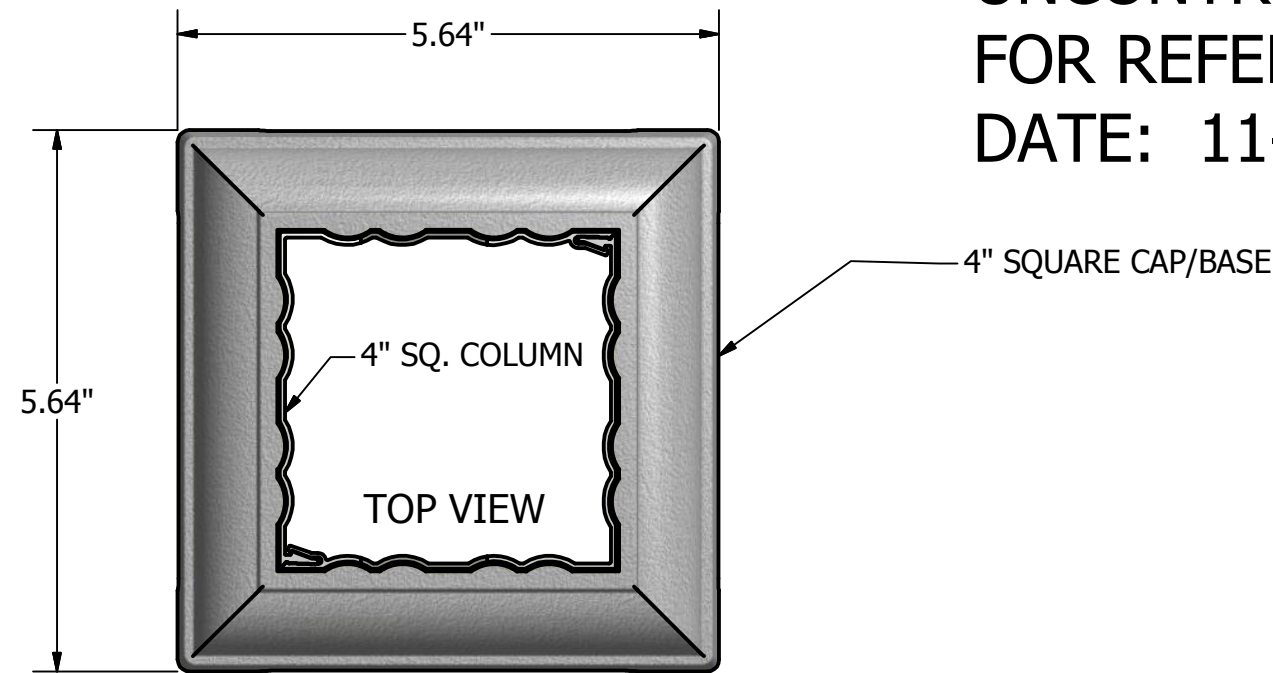
UNCONTROLLED COPY
FOR REFERENCE ONLY
DATE: 11-25-2013



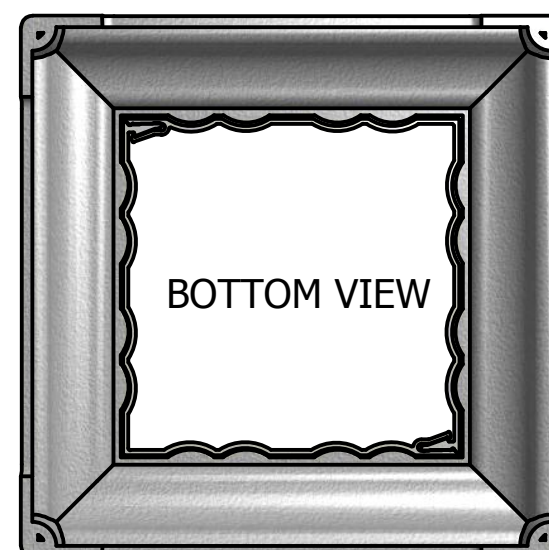
ISOMETRIC VIEW
SCALE: 0.125X



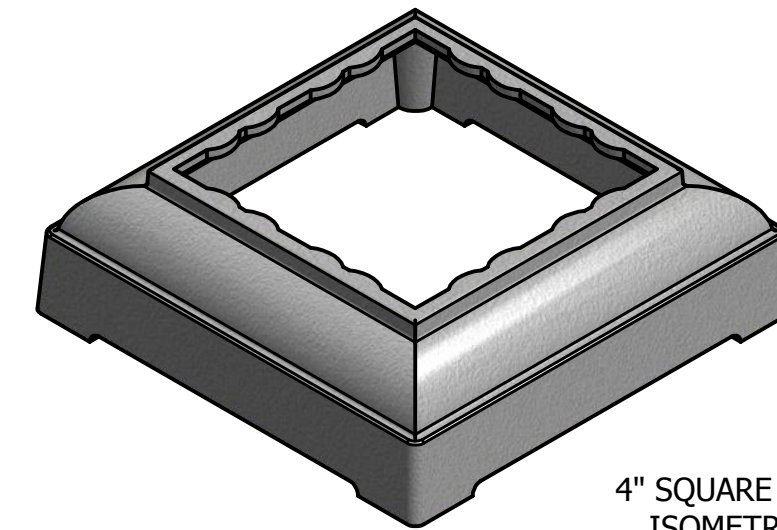
FRONT VIEW
SCALE: 0.125X



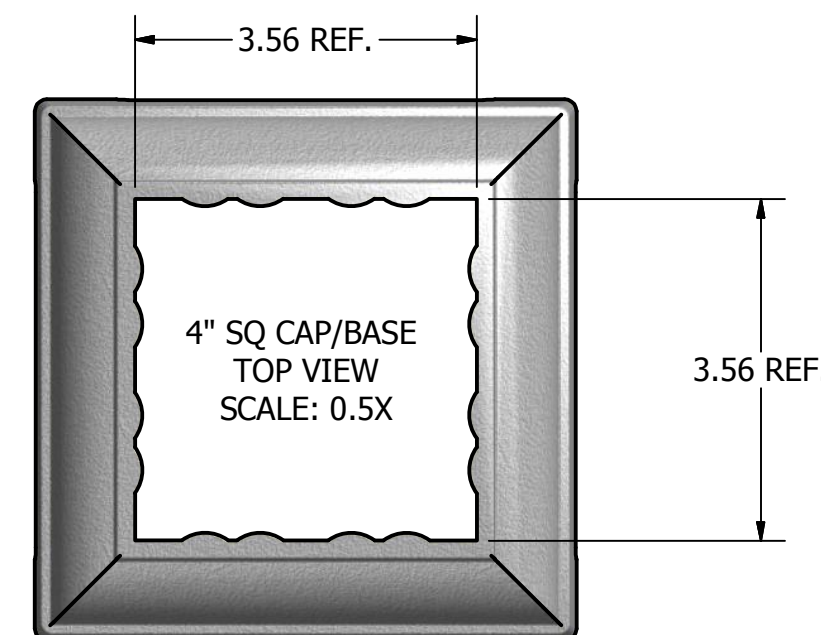
DETAIL A
SCALE .50



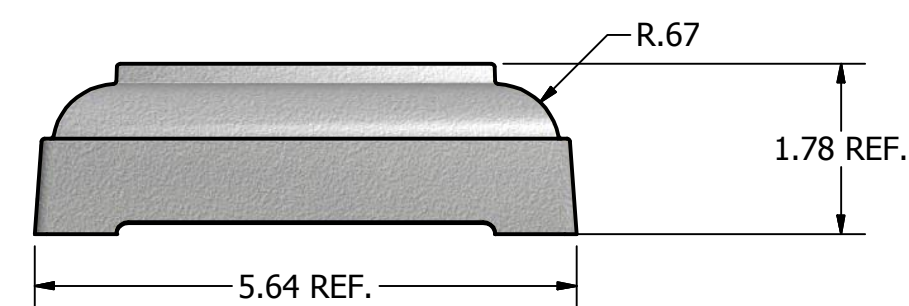
BOTTOM VIEW



4" SQUARE CAP/BASE
ISOMETRIC VIEW
SCALE: 0.5X



4" SQ CAP/BASE
TOP VIEW
SCALE: 0.5X



4" SQUARE CAP/BASE
FRONT VIEW
SCALE: 0.5X

DIMENSIONS ARE IN INCHES.
ALUMINUM ASSOCIATION STANDARD
TOLERANCES APPLY FOR EXTRUSION
PROFILE ONLY. UNLESS OTHERWISE
SPECIFIED, FAB DIMS TOLERANCES ARE:
FRACTIONAL: $\pm \frac{1}{32}$ "; ANGULARITY: $\pm 1'$
[.XXX : $\pm .020$] [.XX : $\pm .031$] [.X : $\pm .063$]

DRAWN BY: DHLE	DATE: 11/25/2013	Worthington Millwork, LLC	
FINISH: PAINTED	MASS: N/A	CUSTOMER: ALUMINUM COLUMN PRODUCTS	
MATERIAL: ALUMINUM ALLOY	ITEM CODE: NA	PART NAME: 4" SQ ALUM COL ASSY	
LENGTH: 9' LENGTH	SIZE C	DRAWING NO.: 4IN SQUARE COLUMN ASSY, 9'	REV. 0
		DO NOT SCALE DRAWING	SHEET 1 OF 1