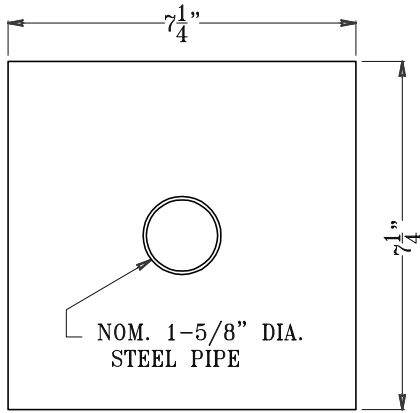


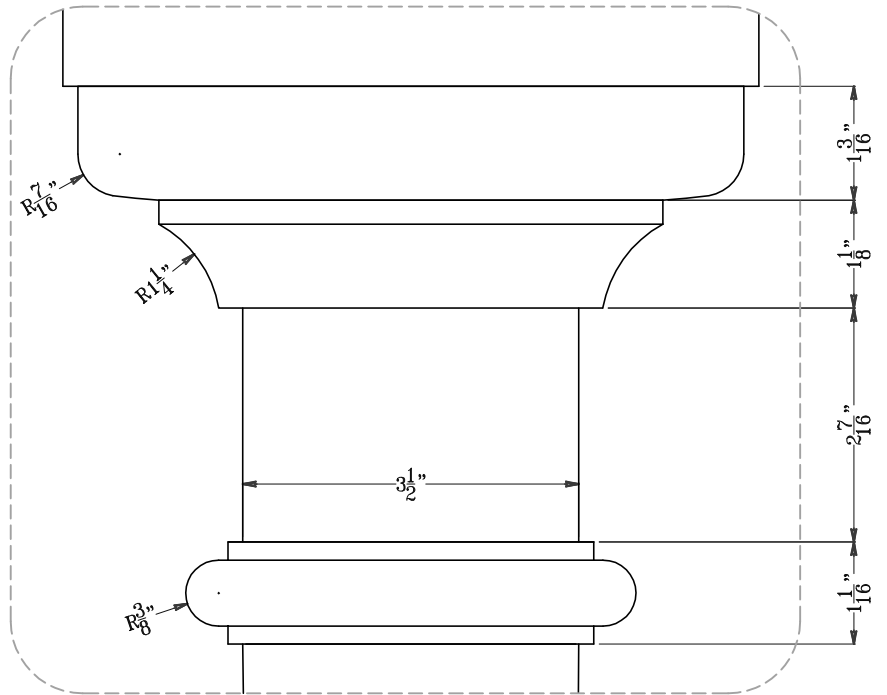
Customer Signature:

Date:

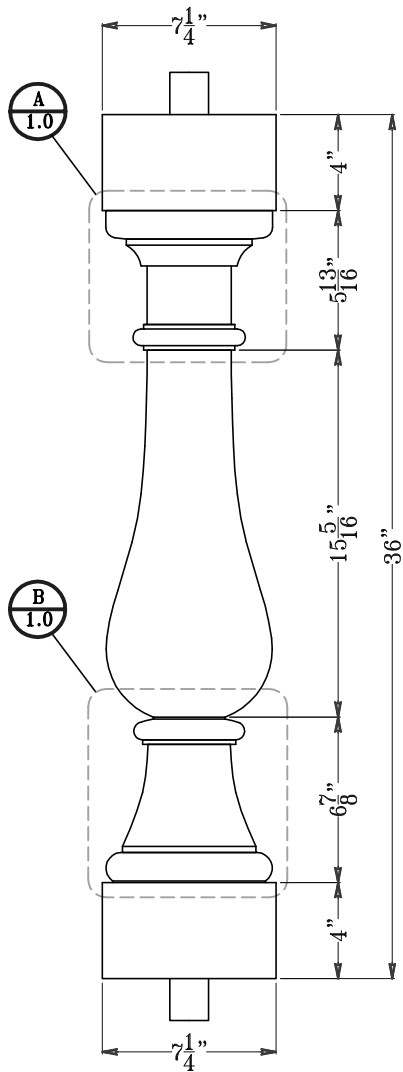
NOTE: MEASUREMENTS TAKEN FROM PRODUCTION PART.  
BALUSTER SPACING TIGHT AT BALL CODE DIMENSION.



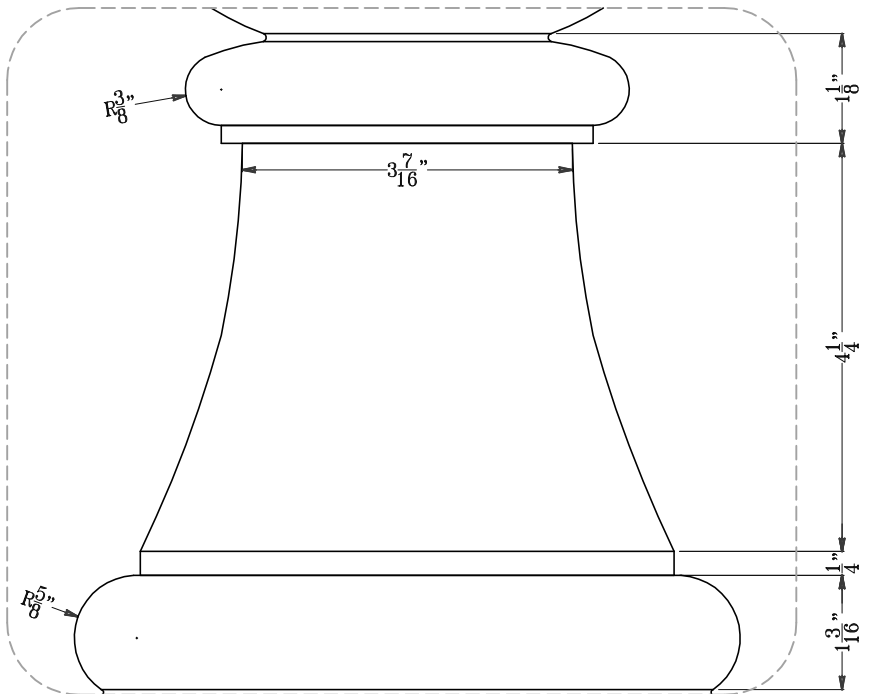
**END VIEW - BALUSTER**  
ARCH. REF. N.A. SCALE 3"=1'0"



**A** **DETAIL - BALUSTER**  
1.0 ARCH. REF. N.A. SCALE 6"=1'0"



**ELEVATION - BALUSTER**  
ARCH. REF. N.A. SCALE 1-1/2"=1'0"



**B** **DETAIL - BALUSTER**  
1.0 ARCH. REF. N.A. SCALE 6"=1'0"

S = 7-3/8"



**WORTHINGTON**  
YOUR ONLY SOURCE FOR FINE ARCHITECTURAL DETAILS

17842 ASHLEY DRIVE, SUITE C  
PANAMA CITY BEACH, FL 32413  
PHONE: 800-872-1608 FAX: 850-640-0488  
WEBSITE: WORTHINGTONMILLWORK.COM

DWG NO: 20-140-36		DWG TITLE: BALUSTER	
DATE: 9-23-08	REV. 2	ITEM NO: 20-140-36	
REV. 1	REV. 3		
FILED UNDER: DRAWINGS	SCALE: SEE ABOVE	DIM. TOLERANCE: N.A.	

ALL ITEMS ARE DRAWN FOR PRESENTATION PURPOSES ONLY, THEREFORE IMAGE SHOWN MAY VARY SLIGHTLY FROM FINISHED ACTUAL PART. DRAWING SHOWN IS TO INDICATE GENERAL ARRANGEMENT AND DESIGN.

1.0