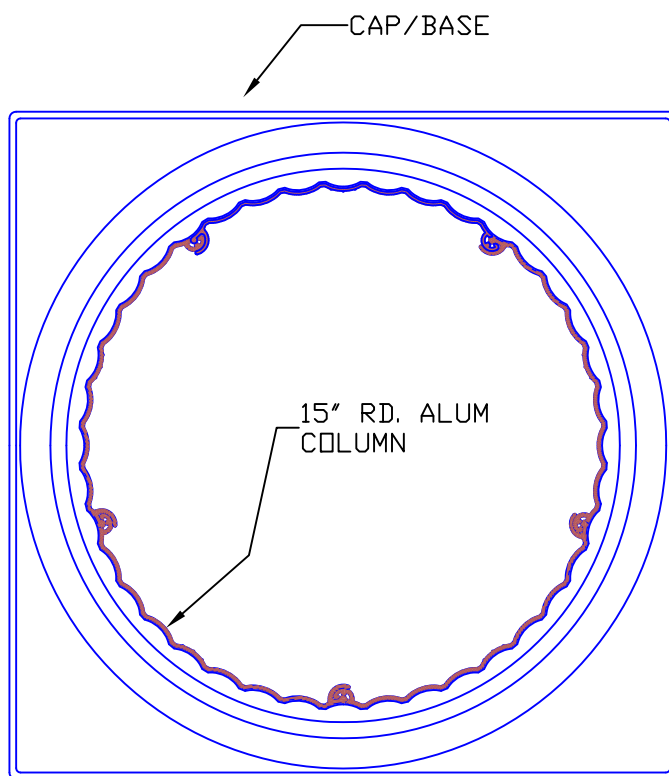
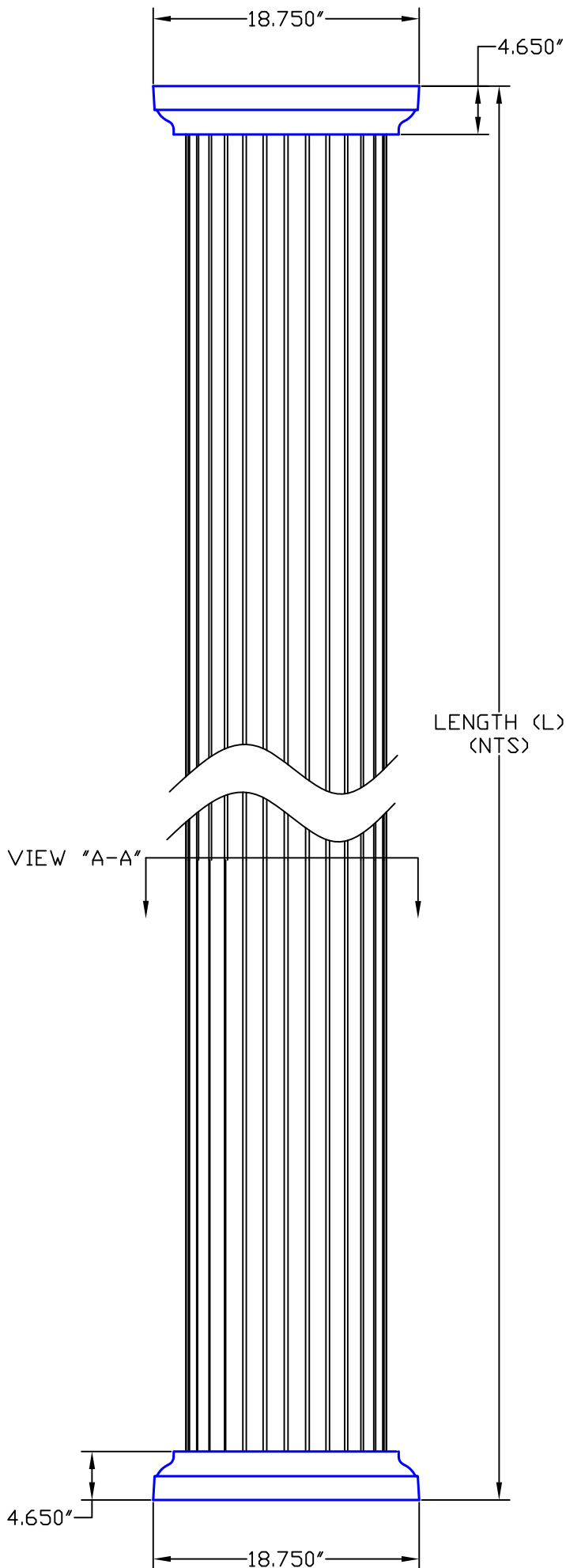


THE INFORMATION CONTAINED ON THIS DOCUMENT IS PROPRIETARY TO WORTHINGTON MILLWORK SHALL NOT BE USED OR REPRODUCED WITHOUT PRIOR WRITTEN CONSENT

UNCONTROLLED COPY
FOR REFERENCE ONLY
DATE: 13 APRIL 2011



VIEW "A-A"

LENGTH = 8', 10', 12', 15', 18', 20'



15" ALUM ROUND COLUMN

DRWN BY: DHL
SCALE: 0.5X

SHEET 1 OF 1
DATE: 07JUN2010 REV.0